



EARTH LEAKAGE RELAY

ELR-11

APPLICATIONS

Control & Relay Panel

Energy Management System

DG Set Panels

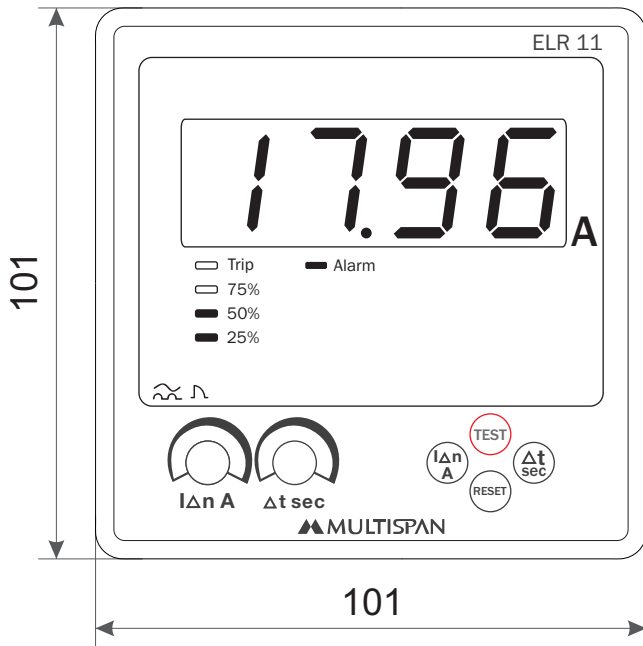
LT / HT Panel

Power Control Center Panels

Motor Control Center Panels

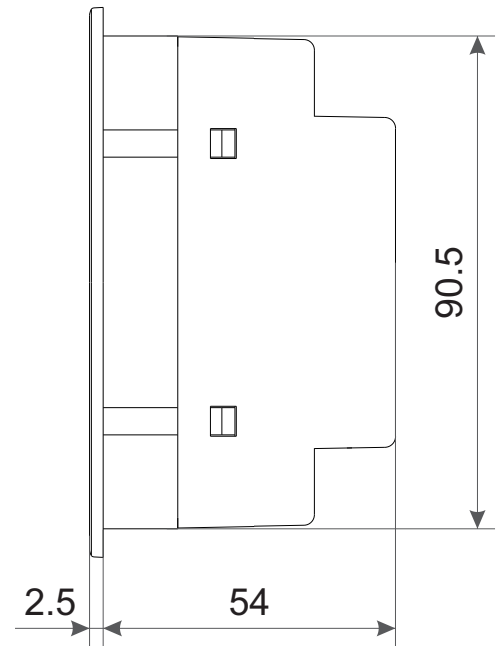
Mechanical Dimensions

Body Dimensions



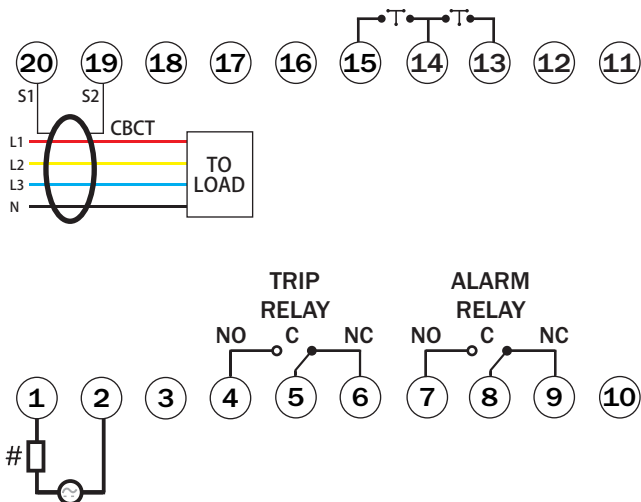
FRONT VIEW

All dimensions are in mm

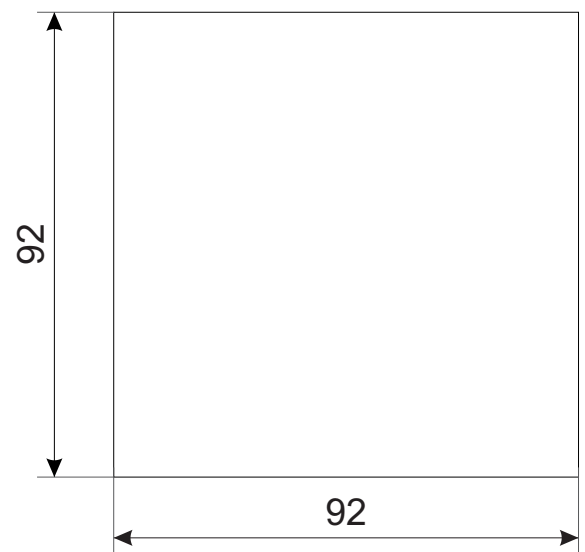


RIGHT SIDE VIEW


Connection Diagram



Panel Cutout



TECHNICAL DATA

Input Current	30mA to 30A AC through external CBCT
Range	0.030 to 30.00A AC
Output	1 Relay , 1 C/O (NO-C-NC) Trip 2 Relay , 1 C/O (NO-C-NC) Alarm
Accuracy	Class 1.0
Certificate	

Features

- Earth Leakage Current Monitoring In 1Ø - 2W, 3Ø-3W And 3Ø-4W System
- Test Mode Available.
- Auto/Manual Tripping Reset Facility.
- Test/Trip Reset Via Front Key

Output

Relay	1 Relay 1C/O (NO-C-NC) Trip 2 Relay 1C/O (NO-C-NC) Alarm
Rating	10A 230V AC (For Resistive Load)

Input

Current	30mA to 30A AC through external CBCT
Display Current Range	0.030 To 30.00 Amp AC
Resolution	If Current in mA = 0.001 A If Current in 10A Above = 0.01A

Trip Setting

Leakage Current	30 mA to 30.00 Amp AC
Delay Time	00.00 to 10.00 Sec

Display LED & Keys

Display	Ampere	4 Digit 7 seg. 0.8" White LED Display
Key		TEST, IΔn, Δtsec, RST
LED Indication		Relay

Accuracy

Class 1.0

LED Indication

LED	Relay1 LED For Trip Relay2 LED For Alarm
------------	---

Auxiliary Power Supply

Power Supply	100 to 270V AC/DC, 50/60Hz
Burden	4VA

Environmental Characteristics

Working Temperature	0 to 55 °C
Storage Temperature	0 to 55 °C
Relative Humidity	95% RH Non-condensing
Enclosure Protection	IP 65 (Front Side)

Mechanical Characteristics

Mounting Type	Panel Mount
Dimension (HxWxD) mm	101 x 101 x 54
Panel Cutout (HxW) mm	92 x 92
Material	Front Enclosure Polycarbonate (PC) ABS
Terminal Screw Size	M3.5
Screw Torque (N.m)	0.5
Wire Gauge (AWG)	26-14
Weight (Approx) gms	Unpacked : 200 Packed : 255
Accessories	1 Pair of Mounting Clamps