



8 CHANNEL TEMPERATURE SCANNER

MS-1208-M1

APPLICATIONS

Pharma & Chemical Industry application

Generator Monitoring & Protection

Remote terminal unit (RTU) For SCADA

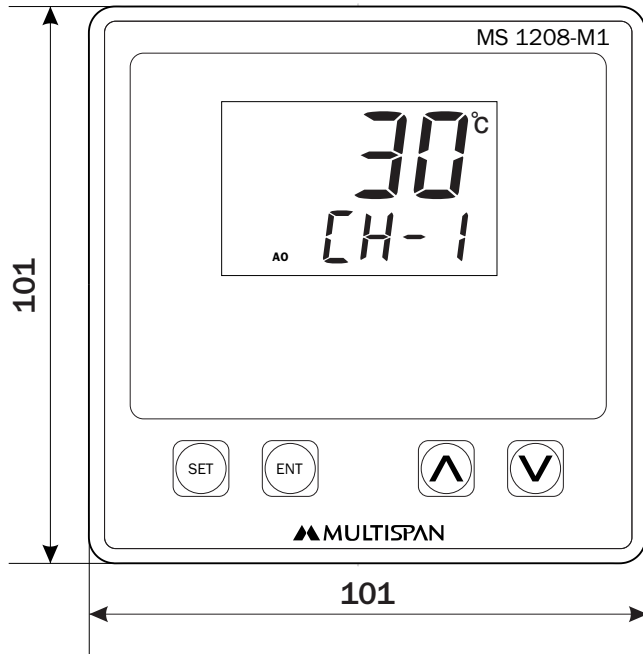
Machine Condition Monitoring

Laboratory Equipment Monitoring

As a distributed I/O module
for interface with PLC/DCS/SCADA

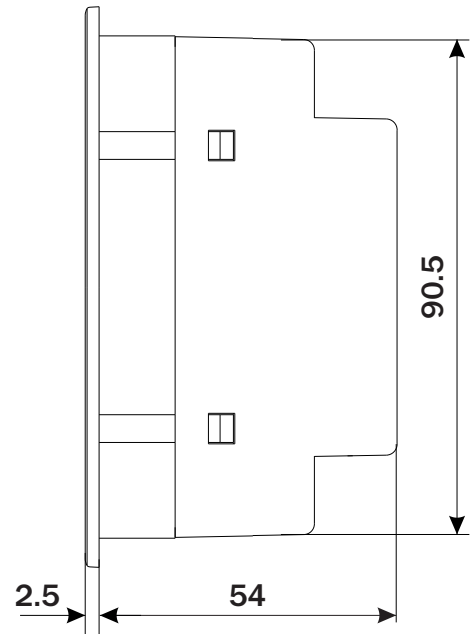
Mechanical Dimensions

Body Dimensions



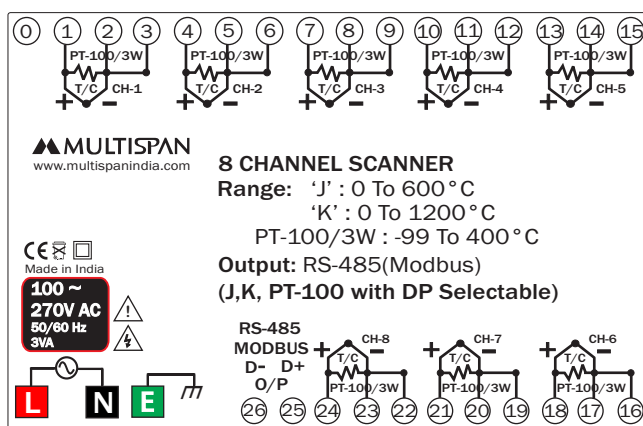
FRONT VIEW

All dimensions are in mm

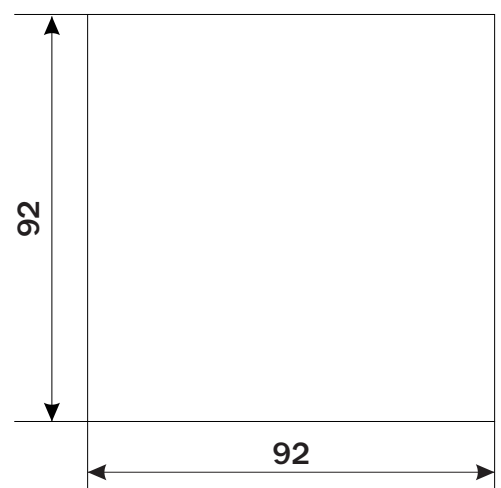


RIGHT SIDE VIEW


Connection Diagram



Panel Cutout



TECHNICAL DATA

Input	Thermocouple	J / K
	RTD	PT-100 3 Wire / 2 Wire
Range	Thermocouple	J: (0 to 600° C), K: (0 to 1200° C)
	RTD	PT-100 : (-99° C to 400° C) (J, K, PT-100 With DP Selectable)
Output	RS-485 Modbus Communication protocol	
Power Supply	100 to 270V AC, 50/60Hz, Approx 3VA	
Accuracy	± 1 % FSD	
Certification		

Input	
ADC Resolution	12 Bits
Display Resolution	Thermocouple : 1° C RTD : 1° C / 0.1° C
Sampling Rate	250 mS/Channel
J , K , PT-100	± 1 % FSD
CJC error	±3° C
T/C Burnout current	1.10uA
RTD excitation current	0.2mA
CMRR	> 120 db (Typical)
Input Impedance	> 1 M
Max Voltage	20V DC

Display, Led & Keys	
Process Value	Upper : 0.68" 4 Digit White LED 7 Segment Display
Channel No.	Lower : 0.43" 4 Digit Green LED 7 Segment Display
4 controlling keys for configuration and operation SET, ENT, INC, DEC	

Auxiliary power supply	
Standard	100 to 270V AC, 50/60Hz
Optional	24V DC
Consumption	3VA

Input Table 1	
Input Type	Range
J	0 to 600° C
K	0 to 1200° C
PT-100 (DP Selection NO)	-99 to 400° C
(J, K, PT-100 With DP Selectable)	

Communication	
Type	RS 485
Protocol	Modbus RTU
Baudrate	9600, 19200, 38400 (Configurable)
Isolation	2500 V _{RMS} Isolation as per UL 1577

Environmental Characteristics

Working Temperature	0 to 55 °C
Storage Temperature	0 to 55 °C
Relative Humidity	95% RH Non-condensing
Ingress Protection	IP 65 (Front Side)

Mechanical Characteristics

Mounting Type	Panel Mount
Dimension (HxWxD) mm	101 x 101 x 54
Panel Cutout (HxW) mm	92 x 92
Material	Body Enclosure
	Polycarbonate (PC) ABS
Terminal Screw Size	M3.5
Screw Torque (N.m)	1
Wire Gauge (AWG)	26-14
Weight (Approx) gms	Unpacked : 220 Packed : 275
Accessories	1 Pair of Clamps