



COOLING CONTROLLER

CC 521

APPLICATIONS

Deep Freezer

Display Cabinet

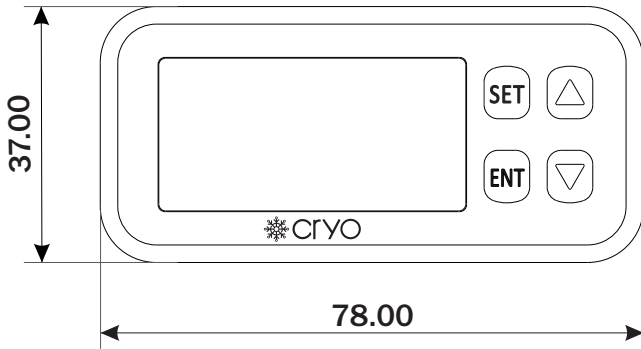
Chillers

Heat pump

Portable Chiller

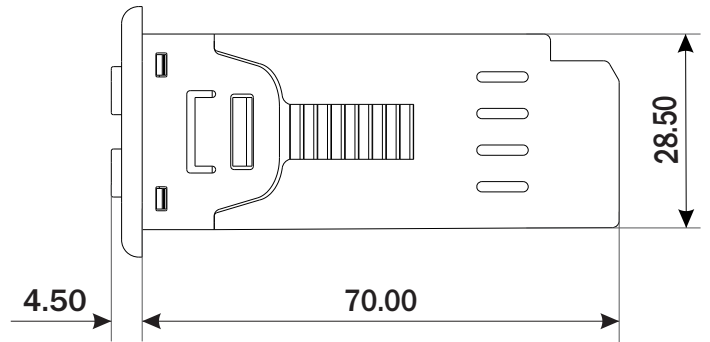
Mechanical Dimensions

Body Dimensions



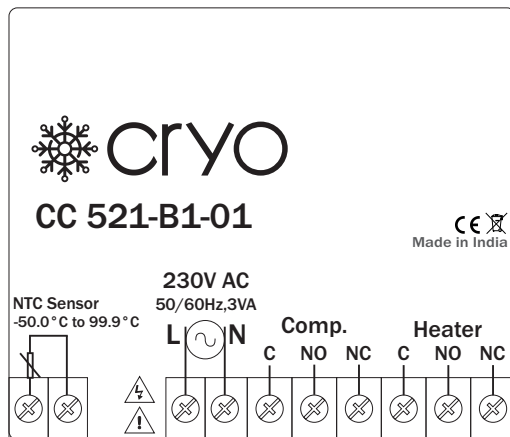
FRONT VIEW

All dimensions are in mm

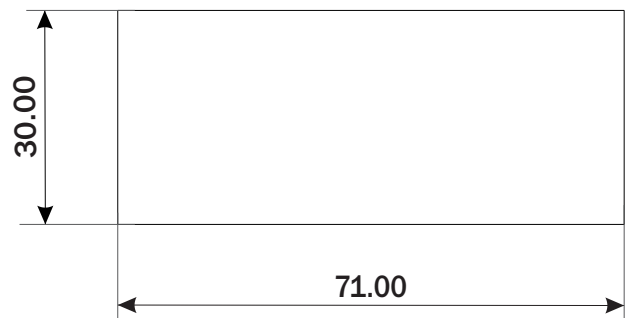


RIGHT SIDE VIEW

Connection Diagram



Panel Cutout



TECHNICAL DATA

Control Action	ON-OFF
Hysteresis	0.1 to 20.0 °C
Offset Adjustment	-9.0 to +9.0 °C
Relay Delay Time	0 to 999 min
Defrost Unit	Minute or Second
Defrost time	1 to 99 min or 1 to 99 Sec
Defrost Frequency	1 to 99 Hour or 1 to 99 min
Defrost Duration 2nd Relay Working	ON, OFF, As per set point

Features

Defrost Unit Selection	Minute or Second
Decimal Point Selection	0.1 °C/1 °C

Display, LED & Keys

Display	3 digit, 0.62", 7 Segment RED/WHITE Display
Keys	SET, UP, DOWN, ENTER

Input

Sensor	NTC Sensor
Range	-50.0 °C to 99.9 °C
Accuracy	± 1% FSD (Full Scale Defection)
Nominal resistance	10k ohm

Environmental Characteristics

Operating Temperature	0 to 55 °C
Storage Temperature	0 to 70 °C
Relative Humidity	95% RH Non-condensing

Auxiliary power supply

Supply Voltage	230V AC, 50/60 Hz/ 24V DC/12V DC (factory set)
Power Consumption	3VA Max @230V AC

Mechanical Characteristics

Mounting Type	Panel Mount
Dimension (HxWxD) mm	37 x 78 x 70
Panel Cutout (HxW) mm	30 x 71
Material	Body Polycarbonate (PC)
Terminal Screw Size	M3
Screw Torque (N.m)	1
Wire Gauge (AWG)	28-12
Weight (Approx) gms	Unpacked : 200 Packed : 230
Accessories	1 Pair of mounting clamps

Output

Relay	2.Nos.(NO-C-NC)
Rating	10A @230V AC / 28V DC Resistive Load

Ordering Information

Part No.	Keypad	Display colour	Body Colour
CC-521-B1-01-W	Key	White	White
CC-521-B1-01-R	Key	Red	White
CC-521-B1-01-W-BL	Key	White	Black
CC-521-B1-01-R-BL	Key	Red	Black
CC-521T-B1-01-W	Touch	White	White
CC-521T-B1-01-R	Touch	Red	White
CC-521T-B1-01-W-BL	Touch	White	Black
CC-521T-B1-01-R-BL	Touch	Red	Black