



## Technical Specification

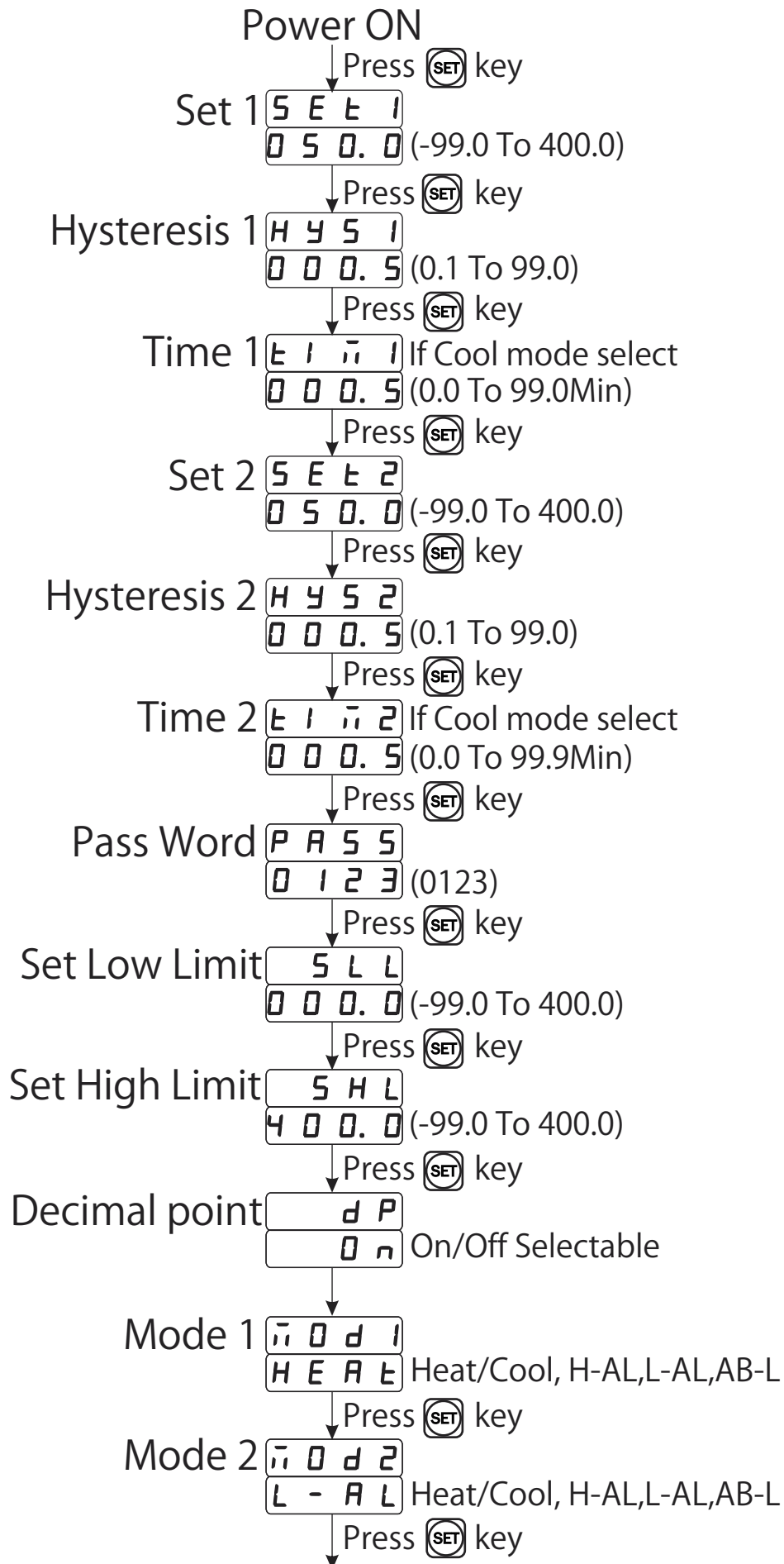
1. Micro Controller Based, Double Display
2. Upper display, 7 seg, red 0.56" LED for process value.  
Lower display, 7 seg, white 0.56" LED for set value.
3. Dimension : Size : 101 X 101 X 54 mm.  
Panel Cutout : 92 X 92 mm.
4. Input : Dual PT-100/3W
5. Range : -99.0 TO 400.0
6. Output 1 : 2Relay 1C/O
7. Supply : 100 To 270V AC,50/60Hz,Approx 4VA
8. Protection Level : IP-65 (Front side) As per IS/IEC 60529 : 2001

## Working

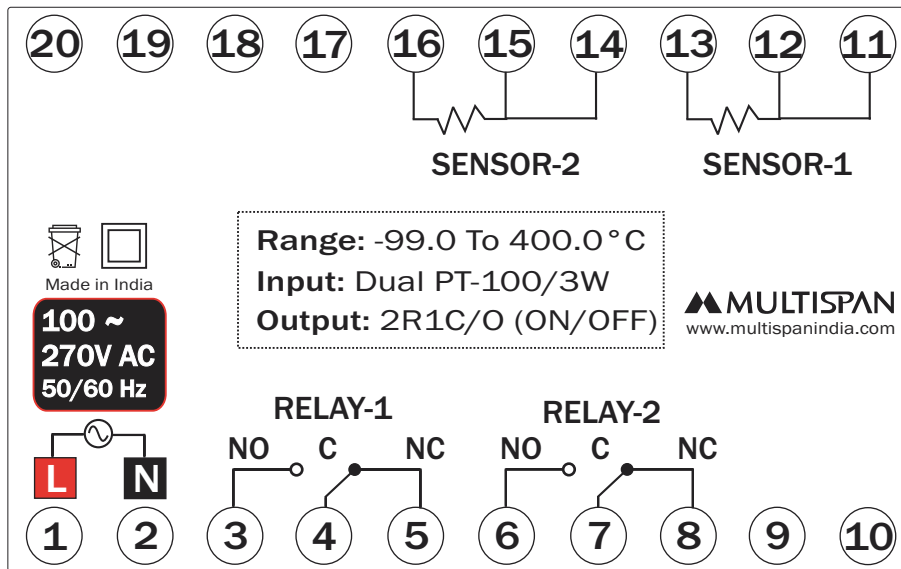
1. Make all connection properly according to 'CONNECTION DIAGRAM' given below. Then turn ON instrument. Set all parameters according to your requirement. Then press ENTER key to store new value in memory.
2. Display-1 (upper) indicates temperature value for sensor-1 and Display-2 (lower) indicates temperature value for sensor-2.
3. If actual temperature is lower than set 1, R1 is turned on until reach to set 1 then based on Hysteresis value R1 goes turn ON and OFF and thus if performed for relay 2 as well.

# USER CONFIGURATION

## Menu-1



# Connection Diagram



**NOTE :**