



# COOLING CONTROLLER

MHC 512

## APPLICATIONS

Food Industry

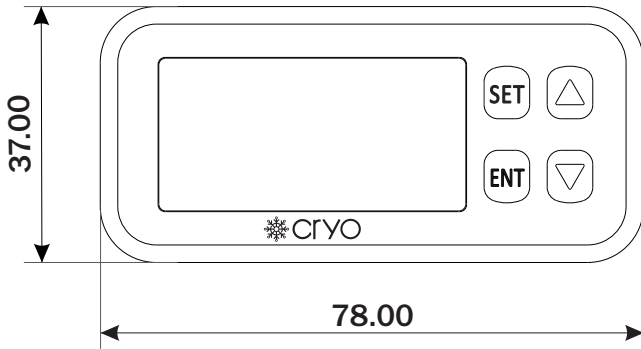
Lab Testing Equipment

HVAC & Refrigeration

Testing chamber

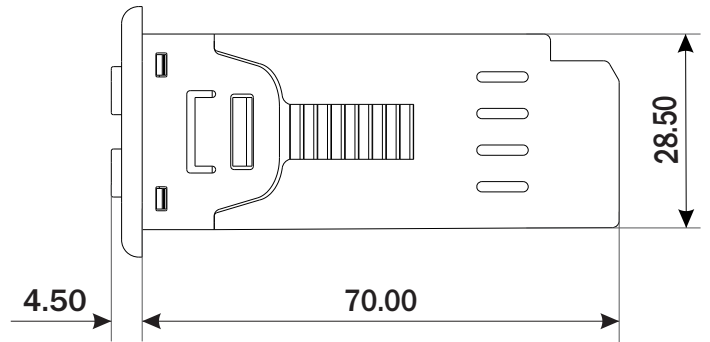
# Mechanical Dimensions

## Body Dimensions



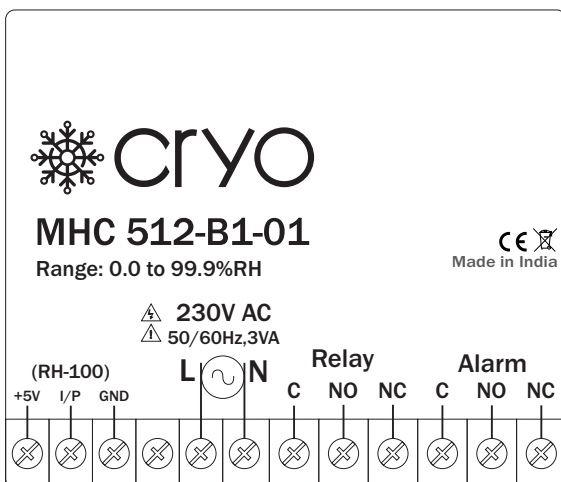
**FRONT VIEW**

All dimensions are in mm

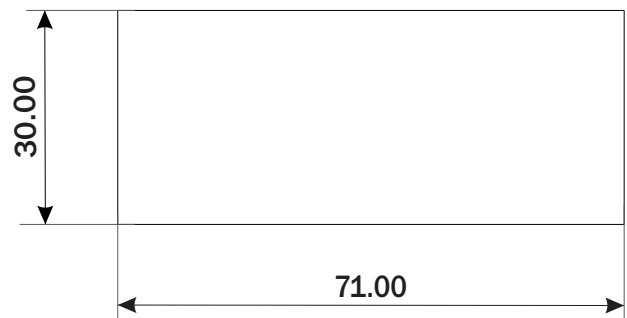


**RIGHT SIDE VIEW**

## Connection Diagram



## Panel Cutout



# TECHNICAL DATA

<b>Control Action</b>	ON-OFF
<b>Hysteresis</b>	0.1 to 20.0%
<b>Offset Adjustment</b>	-9.0 to +20.0%
<b>Relay Delay Time</b>	0.0 to 20.0 min
<b>Relay Mode</b>	Humidification or Dehumidification
<b>Alarm Selection</b>	Yes or No
<b>Alarm On Time</b>	0 to 999 sec

## Features

<b>Mode Selection</b>	Humidification Or Dehumidification
<b>Alarm Selection</b>	Yes or No

## Display, LED & Keys

<b>Display</b>	3 digit, 0.62", 7 Segment RED/WHITE Display
<b>Keys</b>	SET, UP, DOWN, ENT/RST

## Input

<b>Sensor</b>	Humidity Sensor
<b>Range</b>	0.0 to 99.9%

## Environmental Characteristics

<b>Operating Temperature</b>	0 to 55 °C
<b>Storage Temperature</b>	0 to 70 °C
<b>Relative Humidity</b>	95% RH Non-condensing

## Auxiliary power supply

<b>Supply Voltage</b>	230V AC, 50/60 Hz/ 24V DC/12V DC (factory set)
<b>Power Consumption</b>	3VA Max @230V AC

## Mechanical Characteristics

<b>Mounting Type</b>	Panel Mount
<b>Dimension (HxWxD) mm</b>	37 x 78 x 70
<b>Panel Cutout (HxW) mm</b>	30 x 71
<b>Material</b>	Body Polycarbonate (PC)
<b>Terminal Screw Size</b>	M3
<b>Screw Torque (N.m)</b>	1
<b>Wire Gauge (AWG)</b>	28-12
<b>Weight (Approx) gms</b>	Unpacked : 200 Packed : 230
<b>Accessories</b>	1 Pair of mounting clamps

## Output

<b>Relay</b>	2.Nos. (NO-C-NC)
<b>Rating</b>	10A @230V AC / 28V DC Resistive Load

## Ordering Information

Part No.	Keypad	Display colour	Body Colour
MHC-512-B1-01-W	Key	White	White
MHC-512-B1-01-R	Key	Red	White
MHC-512-B1-01-W-BL	Key	White	Black
MHC-512-B1-01-R-BL	Key	Red	Black
MHC-512T-B1-01-W	Touch	White	White
MHC-512T-B1-01-R	Touch	Red	White
MHC-512T-B1-01-W-BL	Touch	White	Black
MHC-512T-B1-01-R-BL	Touch	Red	Black