



# VOLTAGE PROTECTION RELAY

VPR-35

## APPLICATIONS

DG Set Panels

---

Motor Control Center Panels

---

Control Panels

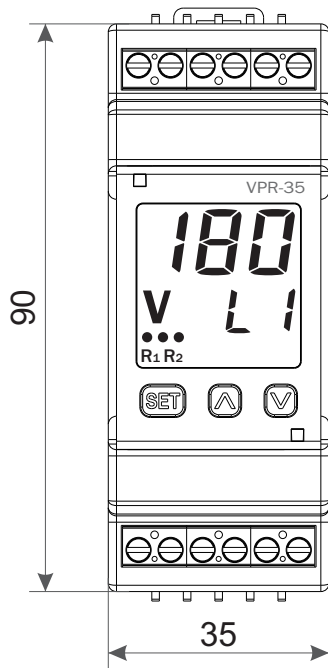
---

Distribution Panels

---

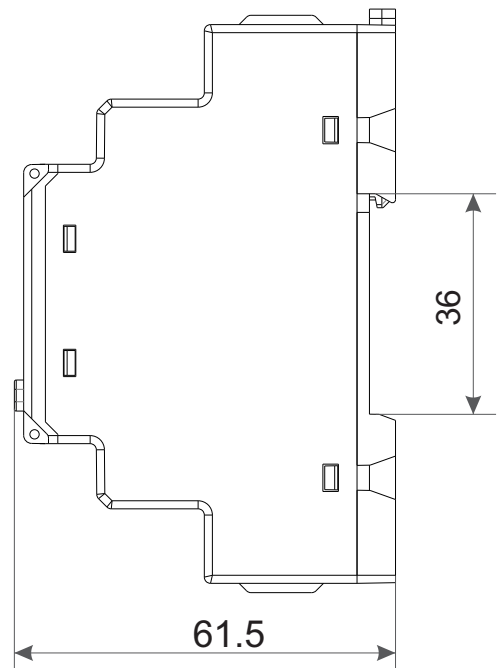
# Mechanical Dimensions

## Body Dimensions



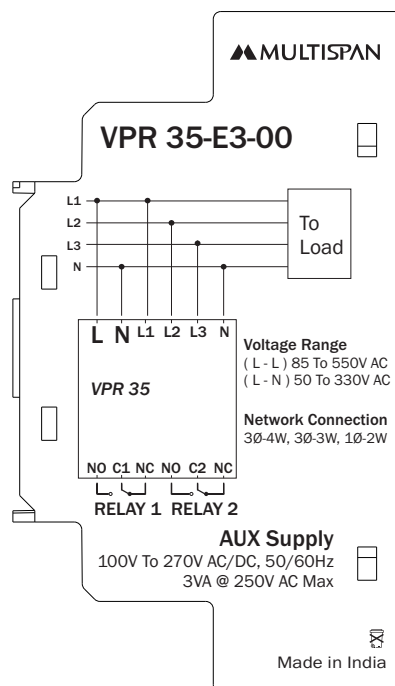
**FRONT VIEW**

All dimensions are in mm



**RIGHT SIDE VIEW**

# Connection Diagram



# TECHNICAL DATA

<b>Input Voltage</b>	85 to 550 V AC (L-L) 3Ø-3W 50 to 330 V AC (L-N) 3Ø-4W / 1Ø-2W
<b>Output</b>	1 <sup>ST</sup> Relay 1 C/O, 5A, 230 V AC (Resistive load) 2 <sup>ND</sup> Relay 1 C/O, 5A, 230V AC, 24V DC
<b>Accuracy</b>	Class 1.0
<b>Power Supply</b>	100V To 270V AC, 50/60Hz, 3VA @ 230V AC Max
<b>Certificate</b>	CE

## Features

- Auto/Manual/ZVR (Zero Value Reset) Reset Option
- Power Fail Fault Memory  
Time parameter : Power on delay  
Trip delay  
Recovery time (Auto reset / ZVR)

## Protection Available

- Over Voltage
- Under Voltage
- Over Frequency
- Under Frequency
- Asymmetry
- Phase Loss
- Phase Sequence

## Input

<b>Direct Voltage</b>	85 To 550V (L-L) 50 TO 330V (L-N)
<b>Resolution</b>	1 Volt
<b>Frequency</b>	45.0 TO 65.0 Hz

## Display LED & Keys

<b>Display</b>	0.4" Red LED, 3 digit UPPER 0.28" Red LED, 3 digit LOWER
<b>Key</b>	SET, RESET, INC, DEC
<b>LED Indication</b>	LINE-1 , LINE-2 , LINE-3, RELAY 1, RELAY 2

## Meter type

3Ø-3W/3Ø-4W/1Ø-2W

## Output

### Relay

1<sup>ST</sup> Relay with 1 C/O,5A  
230 V AC On Resistive Load  
2<sup>ND</sup> Relay 1 C/O, 5A, 230V AC

## Trip Setting

<b>Under Voltage</b>	85-550 V AC (3Ø-3W), 50-330 V AC (3Ø-4W/1Ø-2W)
<b>Over Voltage</b>	85-550 V AC (3Ø-3W), 50-330 V AC (3Ø-4W/1Ø-2W)
<b>Under Frequency &amp; Over Frequency</b>	45.0 TO 65.0 Hz
<b>Phase Asymmetry</b>	10-100V

## Time Parameter

<b>Power ON Delay Time</b>	0.0 to 99.9 Seconds
<b>Trip Delay Time</b>	0.0 to 999 Seconds
<b>Recovery Time</b>	0.0 to 99.9 Seconds

## Accuracy

Class 1.0 ( Standard )

## Auxiliary Power Supply

<b>Power Supply</b>	100V To 270V AC,50/60Hz
<b>Burden</b>	3VA @ 230V AC Max

### Environmental Characteristics

Operating Temperature	0 to 55 °C
Storage Temperature	0 to 70 °C
Relative Humidity	95% RH Non-condensing

### Mechanical Characteristics

Mounting Type	Din Rail Mount
Dimension (HxWxD) mm	90 x 35 x 61.5
Material Body	Polycarbonate (PC)
Terminal Screw Size	M3
Screw Torque (N.m)	0.5
Wire Gauge (AWG)	28-12
Weight (Approx) gms	Unpacked : 200 Packed : 255