



# COOLING CONTROLLER

CC 525

## APPLICATIONS

Deep Freezer

---

Display Cabinet

---

Chillers

---

Heat pump

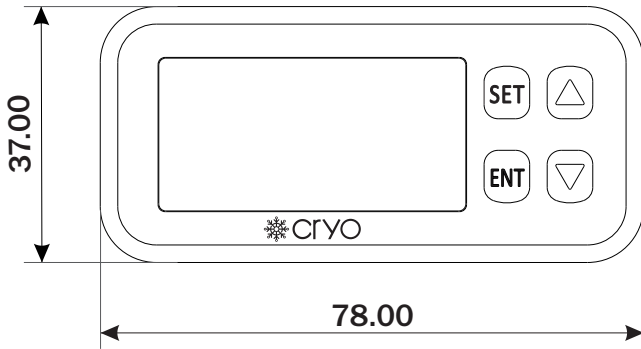
---

Portable Chiller

---

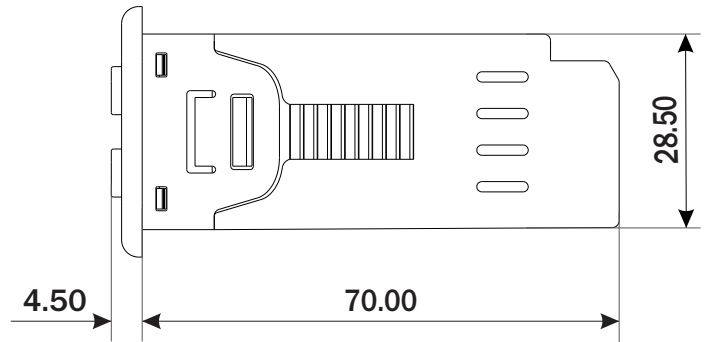
# Mechanical Dimensions

## Body Dimensions



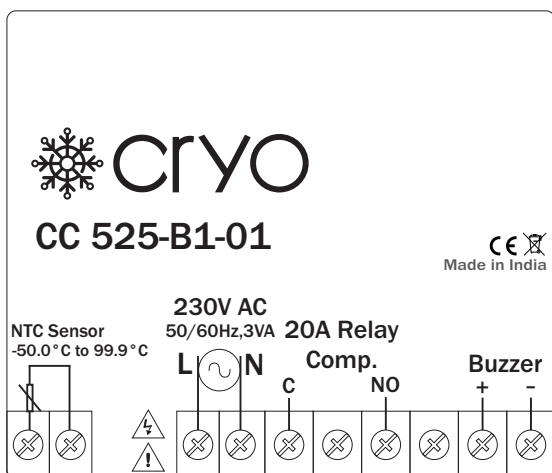
**FRONT VIEW**

All dimensions are in mm

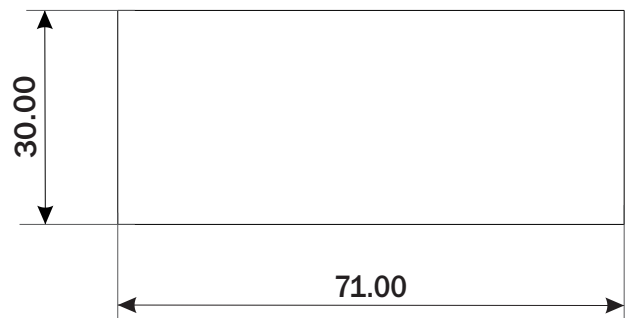


**RIGHT SIDE VIEW**

## Connection Diagram



## Panel Cutout



# TECHNICAL DATA

<b>Control Action</b>	ON-OFF
<b>Hysteresis</b>	0.1 to 20.0 °C
<b>Offset Adjustment</b>	-9.0 to +9.0 °C
<b>Relay Delay Time</b>	0 to 999 min
<b>Relay Mode</b>	Cool or Heat
<b>Alarm</b>	Enable or Disable
<b>Alarm Delay Time</b>	0 to 99 min
<b>Alarm On Time</b>	0 to 999 sec

## Features

<b>Mode Selection</b>	Heating or Cooling
<b>Buzzer</b>	Enable/Disable
<b>Decimal Point Selection</b>	0.1 °C/1 °C
<b>Temperature Selection</b>	Celsius or Fahrenheit

## Input

<b>Sensor</b>	NTC Sensor
<b>Range</b>	-50.0 °C to 99.9 °C
<b>Accuracy</b>	± 1% FSD (Full Scale Defection)
<b>Nominal resistance</b>	10k ohm

## Auxiliary power supply

<b>Supply Voltage</b>	230V AC, 50/60 Hz/ 24V DC/12V DC (factory set)
<b>Power Consumption</b>	3VA Max @230V AC

## Output

<b>Relay</b>	1.Nos. (NO-C)
<b>Rating</b>	20A @230V AC / 28V DC Resistive Load
<b>SSR Control Output</b>	
<b>Rating</b>	12V DC @30mA (Buzzer)

## Display, LED & Keys

<b>Display</b>	3 digit, 0.62", 7 Segment RED/WHITE Display
<b>Keys</b>	SET, UP, DOWN, ENT/RST

## Environmental Characteristics

<b>Operating Temperature</b>	0 to 55 °C
<b>Storage Temperature</b>	0 to 70 °C
<b>Relative Humidity</b>	95% RH Non-condensing

## Mechanical Characteristics

<b>Mounting Type</b>	Panel Mount
<b>Dimension (HxWxD) mm</b>	37 x 78 x 70
<b>Panel Cutout (HxW) mm</b>	30 x 71
<b>Material</b>	Body: Polycarbonate (PC)
<b>Terminal Screw Size</b>	M3
<b>Screw Torque (N.m)</b>	1
<b>Wire Gauge (AWG)</b>	28-12
<b>Weight (Approx) gms</b>	Unpacked : 200 Packed : 230
<b>Accessories</b>	1 Pair of mounting clamps

## Ordering Information

Part No.	Keypad	Display colour	Body Colour
CC-525-B1-01-W	Key	White	White
CC-525-B1-01-R	Key	Red	White
CC-525-B1-01-W-BL	Key	White	Black
CC-525-B1-01-R-BL	Key	Red	Black
CC-525T-B1-01-W	Touch	White	White
CC-525T-B1-01-R	Touch	Red	White
CC-525T-B1-01-W-BL	Touch	White	Black
CC-525T-B1-01-R-BL	Touch	Red	Black