



# COOLING CONTROLLER

CC 513

## APPLICATIONS

Deep Freezer

---

Display Cabinet

---

Chillers

---

Heat pump

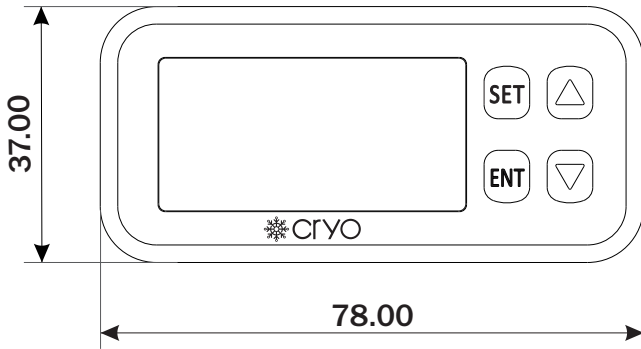
---

Portable Chiller

---

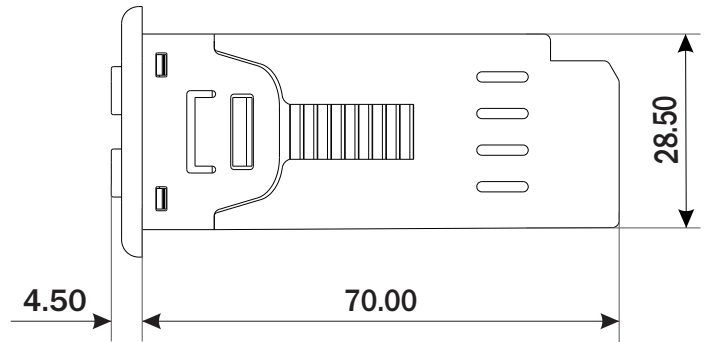
# Mechanical Dimensions

## Body Dimensions



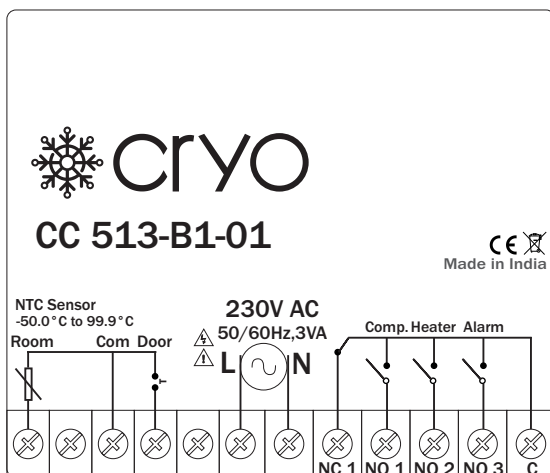
**FRONT VIEW**

All dimensions are in mm

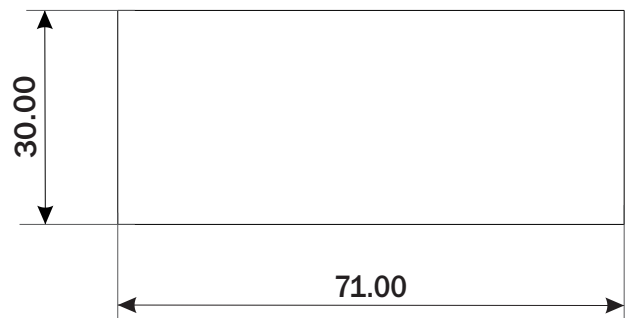


**RIGHT SIDE VIEW**

## Connection Diagram



## Panel Cutout



# TECHNICAL DATA

Control Action	ON-OFF
Hysteresis	0.1 to 20.0 °C
Offset Adjustment	-9.0 to +9.0 °C
Relay1 Delay Time	0 to 999 min
Relay1 Mode	Cool or Heat
Relay2 Set Point	1 to 20
Relay2 Delay Time	0 to 99 Sec
Digital input	Enable/ Disable
Alarm	Enable or Disable
Alarm Delay Time	0 to 99 min
Alarm On Time	0 to 999 sec

## Features

Mode Selection	Heating or Cooling
Alarm	Enable/Disable
Digital input	Enable/Disable
Decimal Point Selection	0.1 °C/1 °C
Temperature Selection	Celsius or Fahrenheit

## Input

Sensor	NTC Sensor
Range	-50.0 °C to 99.9 °C
Accuracy	± 1% FSD (Full Scale Defection)
Nominal resistance	10k ohm

## Auxiliary power supply

Supply Voltage	230V AC, 50/60 Hz/ 24V DC/12V DC (factory set)
Power Consumption	3VA Max @230V AC

## Output

Relay	3.Nos.
Rating	10A @230V AC / 28V DC Resistive Load

## Display, LED & Keys

Display	3 digit, 0.62", 7 Segment RED/WHITE Display
Keys	SET, UP, DOWN, ENT/RST

## Environmental Characteristics

Operating Temperature	0 to 55 °C
Storage Temperature	0 to 70 °C
Relative Humidity	95% RH Non-condensing

## Mechanical Characteristics

Mounting Type	Panel Mount
Dimension (HxWxD) mm	37 x 78 x 70
Panel Cutout (HxW) mm	30 x 71
Material	Body Polycarbonate (PC)
Terminal Screw Size	M3
Screw Torque (N.m)	1
Wire Gauge (AWG)	28-12
Weight (Approx) gms	Unpacked : 190 Packed : 220
Accessories	1 Pair of mounting clamps

## Ordering Information

Part No.	Keypad	Display colour	Body Colour
CC-513-B1-01-W	Key	White	White
CC-513-B1-01-R	Key	Red	White
CC-513-B1-01-W-BL	Key	White	Black
CC-513-B1-01-R-BL	Key	Red	Black
CC-513T-B1-01-W	Touch	White	White
CC-513T-B1-01-R	Touch	Red	White
CC-513T-B1-01-W-BL	Touch	White	Black
CC-513T-B1-01-R-BL	Touch	Red	Black