

# TEMPERATURE CONTROLLER UTC-4203



## TECH SPECS

<b>Model</b>	UTC-4203
<b>Dimension (HxWxD) mm</b>	48 x 48 x 95
<b>Input</b>	Thermocouple:- J / K (Configurable) RTD :- PT-100 3Wire /2Wire
<b>Range</b>	Thermocouple:- J: 0 - 600 °C, K: 0 to 1200 °C RTD :- PT-100: -99 to 400 °C/ PT.1: -99.9 to 400.0 °C
<b>Output</b>	3 Relay 1 C/O Contact, 5A@230V AC
<b>Control Action</b>	PID / TP/ ON-OFF ( Configurable )
<b>Power Supply</b>	100-270V AC, 50/60 HZ, Approx 4VA
<b>Certification</b>	

## APPLICATIONS

Pharmaceutical Industries

Extrusion Machinery

Furnace & Boilers

Ovens & Incubators

Process Industry

# Technical Specifications

Input	
Input Type	Thermocouple : J, K RTD : PT-100, PT.1
Display Range	Refer ( Table 1 )
Accuracy	± 1% of FSD
ADC Resolution	10 Bits
Display Resolution	J/K,PT-100 = 1 °C PT.1 = 0.1 °C
Sample Time	600 msec

Output	
Relay Control Output	
Relay	3 Relay 1C/0
Rating	5A @230V AC Resistive Load

Table 1 ( Input Range )	
J	0 to 600 °C
K	0 to 1200 °C
PT-100	-99 to 400 °C
PT.1	-99.9 to 400.0 °C

Display	
Display	<b>Upper</b> :- 4 Digit 7 seg 0.56" Red LED Display <b>LOWER</b> :- 4 Digit 7 seg 0.33" Green LED Display
LED Status	Relay Indication LED

Control Method	
Heating	1) PID Control with Auto-Tuning 2) TP/ON-OFF Control
Cooling	1) BL.TP (Blower Time Proportional) 2) TP/ON-OFF Control
Alarm	Inband, Absolute Outband, High, Absolute Low

Keys
4 controlling keys for configuration and operation SET, UP, DOWN, ENT

Power Supply	
Standard	100 - 270V AC @ 50/60 Hz
Optional	24V DC
Consumption	4VA

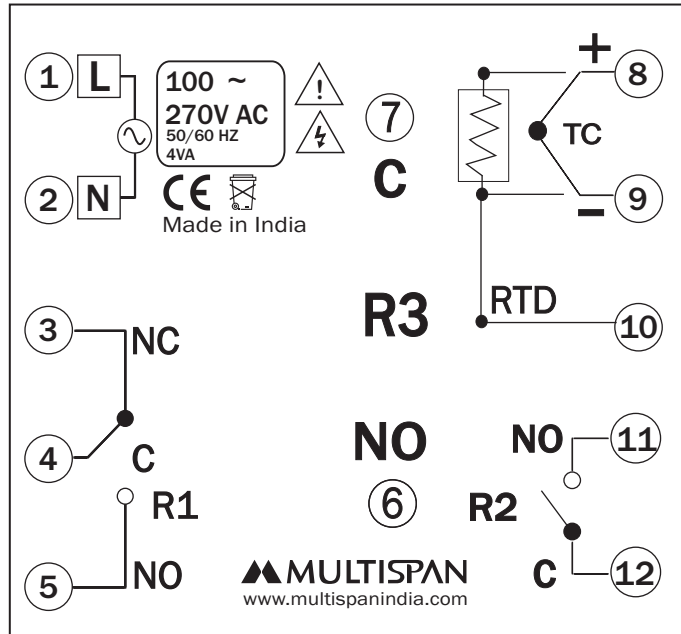
Physical	
Mounting Type	Panel Mount
Enclosure	Molded ABS
Weight (gm)	170
Color	Black
Front Bezel ( mm )	48 x 48
Panel cutout ( mm )	45 x 45
Depth behind panel (mm)	95
Accessories	1 pair of Mounting clamp
Terminal Cable Size	Barrier Type terminal Cable Size ( 2.5 mm <sup>2</sup> )

Environmental	
Operating Temperature	0 to 55 °C
Storage Temperature	0 to 70 °C
Humidity	95% RH Non-condensing
Protection	IP 65 ( Front Side )

## MECHANICAL INSTALLATION

Outline Dimension (mm)	Panel Cutout Dimension (mm)

## Connection Diagram



Multispan reserves the right to change specifications without prior notice. Printing and typographical errors reserved.  
 Product improvement and upgrade is a constant procedure. So for more updated operating information & support contact us.

### Multispan Control Instruments Pvt. Ltd.

72/B, Phase 1, GIDC Estate, Vatva, Ahmedabad-382445, Gujarat, India.

+91-7575805463/7623001206

support@multispanindia.com

Follow us



www.multispanindia.com