



# LENGTH COUNTER

LC-1046D

## APPLICATIONS

Textile Industries

---

Pipe Extrusion Machine

---

Printing Machinery

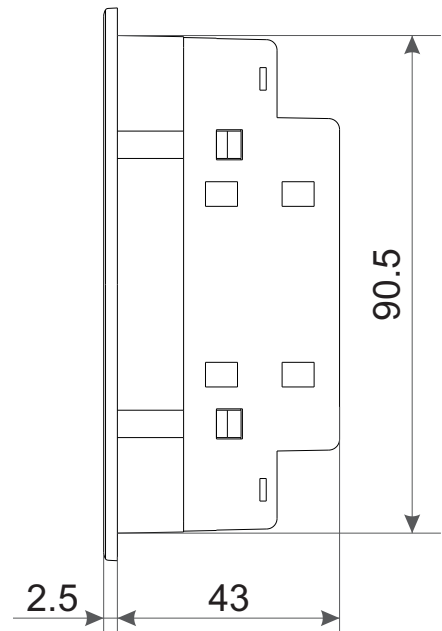
# Mechanical Dimensions

## Body Dimensions



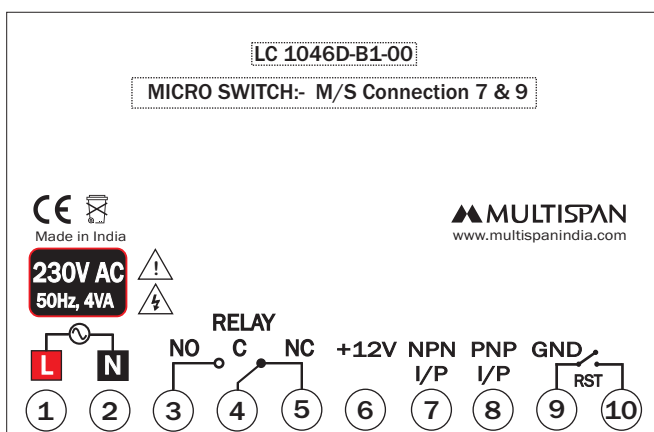
**FRONT VIEW**

All dimensions are in mm

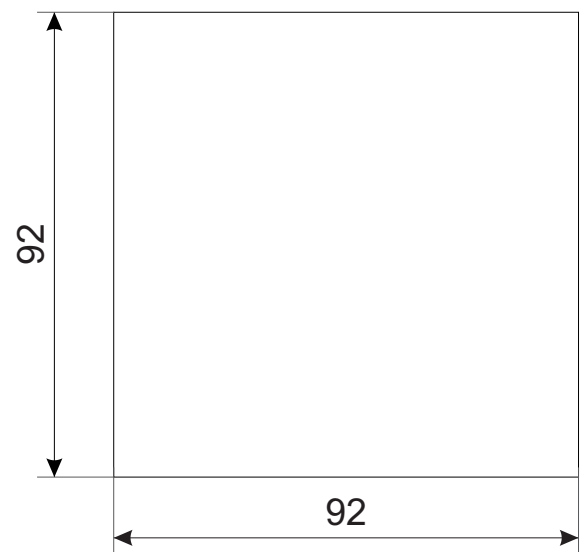


**RIGHT SIDE VIEW**

## Connection Diagram



## Panel Cutout



# TECHNICAL DATA

<b>Input</b>	NPN/PNP Proximity Switch ( Configurable) Encoder ( Factory Set )
<b>Range</b>	0-999.999 / 0-999999 Meter ( Configurable ) MPM :- 00.01 to 9999 MPM
<b>Output</b>	1 Relay 1 C/O, 5A, 230V AC SSR 12V DC Parallel ( Any one factory set )
<b>Operating Mode</b>	999.9 MPM
<b>Diameter</b>	0-9999.99 MM
<b>Memory</b>	Non-Volatile Memory
<b>Reset</b>	Auto/ Manual reset facility & front and back reset facility
<b>Power Supply</b>	230V AC $\pm$ 10%, 50 HZ

## Input

<b>Sensor Type</b>	NPN/PNP
<b>Input Type</b>	Proximity , Micro switch
<b>Input Speed</b>	3Hz, 30Hz 500 Hz
<b>Accuracy</b>	$\pm$ 10mm Full Scale

## Auxiliary Supply

<b>Supply Voltage</b>	230V AC, 50 HZ
<b>Power Consumption</b>	4VA MAX

## Functional Specifications

<b>RLY Modes</b>	Delay On
<b>Range</b>	000.001 to 999999 MTR
<b>Resolution</b>	1 mm
<b>Counting Direction</b>	UP / DOWN Selectable
<b>Set Point</b>	1
<b>Scale Factor</b>	Diameter and PPR
<b>Reset</b>	Front and Remote
<b>Memory Retention</b>	YES
<b>Configuration Lock</b>	NO

## Output

<b>Sensor Supply</b>	Inbuilt 12V DC, 30mA
<b>Relay Contact</b>	1 C/O
<b>Contact Rating</b>	5A @ 230V AC

## Display

<b>Display</b>	Upper :- 4 Digit 7 seg 0.56" Red LED Display LOWER :- 4 Digit 7 seg 0.4" Green LED Display
<b>LED Status</b>	Relay Indication LED

## Keys

4 controlling keys for configuration and operation  
SET, SHIFT, UP, RESET

### Environmental Characteristics

<b>Working Temperature</b>	0 to 55°C (32°F to 122°F)
<b>Storage Temperature</b>	-20°C to 75°C (-4°F to 197°F)
<b>Relative Humidity</b>	95% RH Non-condensing
<b>Protection</b>	IP 65 ( Front Side ) as per requirement

### Mechanical Characteristics

<b>Mounting Type</b>	Panel Mount
<b>Dimension (HxWxD) mm</b>	101 x 101 x 43
<b>Panel Cutout (HxW) mm</b>	92 x 92
<b>Material</b>	Front Enclosure Polycarbonate (PC) ABS
<b>Terminal Screw Size</b>	M3.5
<b>Screw Torque (N.m)</b>	0.5
<b>Wire Gauge (AWG)</b>	26-14
<b>Weight (Approx) gms</b>	Unpacked : 200 Packed : 255
<b>Accessories</b>	1 Pair of Mounting Clamps