



Technical Specification

Model	PRC-1202
Display	UPPER:- 4 Digit 7 seg 0.56",red LED Display LOWER:- 4 Digit 7 seg 0.4",green LED Display
Size	96(H) X 96 (W) X 100 (D) mm
Panel Cutout	92 X 92 mm
Range	0 to 1200°C
Input	K Type thermocouple
Output	2 Relay, 5A, 230V AC Relay contact (H+AL)
Control Action	ON/OFF
Power Supply	100 to 250V AC,50/60Hz,Approx 4VA

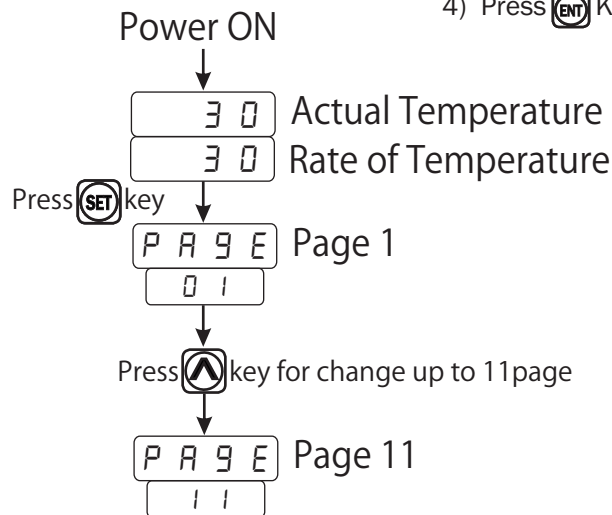
Working

- 1). Make all connection as shown in connection diagram and turn on the instrument.
- 2). As the Power turns ON, Upper Display Shows Room Temperature / Process Temperature. Lower Display shows of rate of temperature.
- 3). Relay-R1 is for controlling the temperature and relay-2 is for alarm.
- 4). When process temperature reach at set1 value during that period RELAY 1 will turn off and hold time for that relay1 starts. Again when it reaches *SET-HYS*, it will again Relay turn on.
- 5). Alarm will (relay-R2) turn ON at alarm set point.
- 6). When hold-1 time is over, stage-2 process starts and process temperature increase @ rate of RATE-2. This 9-stage process continues as process temperature varies.
- 7). By pressing both  &  keys one can see on the lower display which particular rate or which particular hold time is going on.

Key Operations

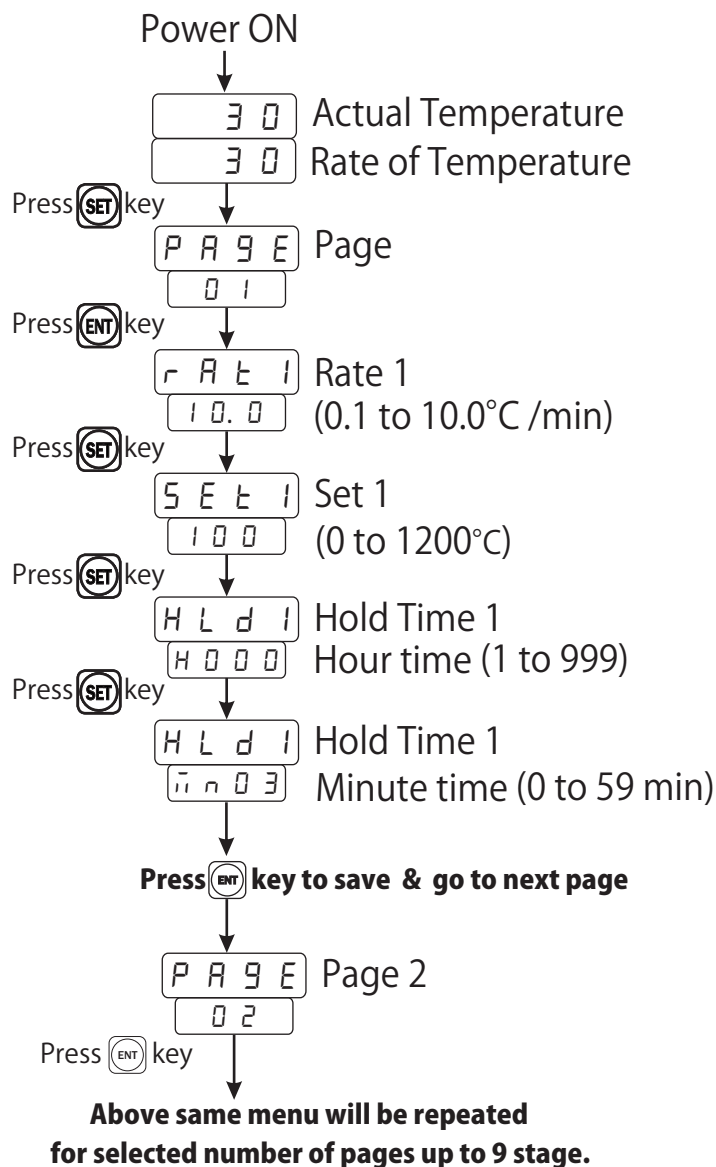
- 1) Press **SET** Key to enter in parameter menu.
- 2) Press **SET** Key to go to next parameter.
- 3) Use **▲** Or **▼** key to change value of parameter.
- 4) Press **ENT** Key to save change in setting

Procedure of stage selection

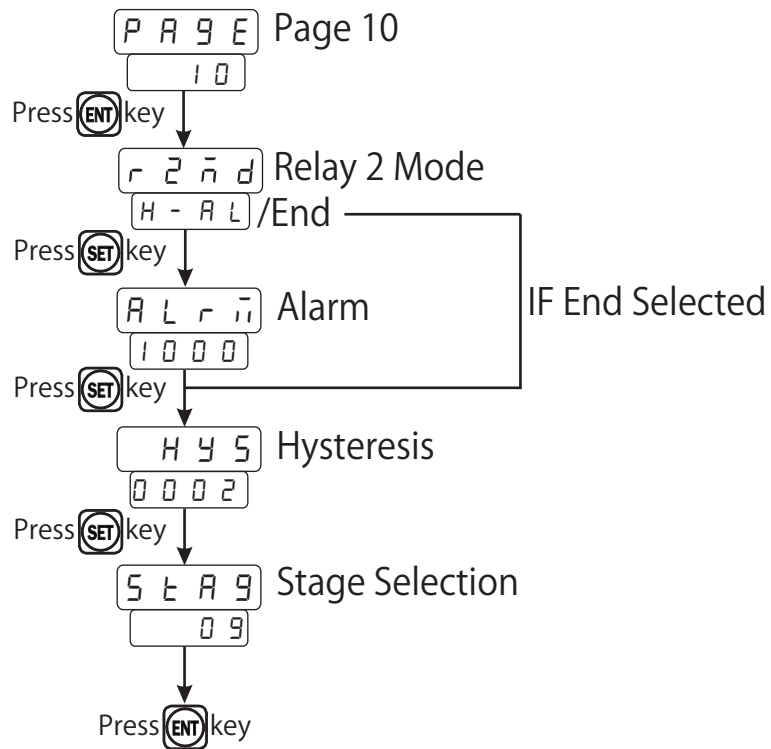


User Configuration

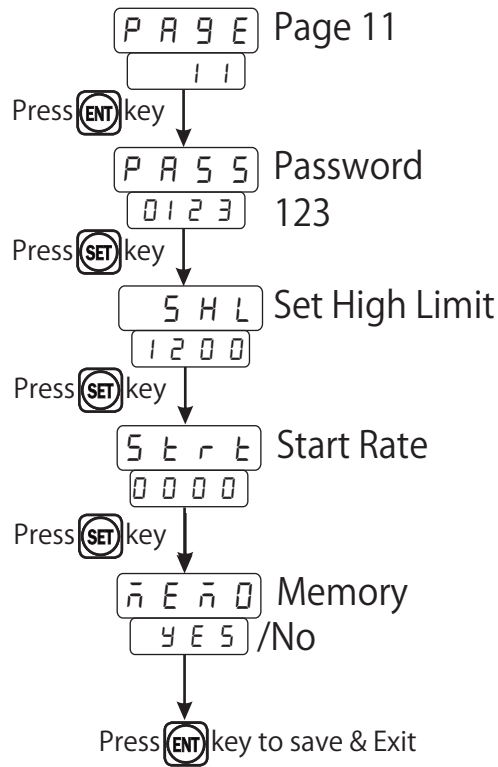
For 1 to 9 Page



For Page 10



For Page 11



Connection Diagram

