

# APFC-9606

## AUTOMATIC POWER FACTOR CONTROLLER

### (1- CT Based APFC Relay)



## TECH SPECS

Dimension (HxWxD) mm	96 x 96 x 52
Input Current Range	50mA to 5AMP AC, (Direct) CAT III (CT Ratio Selectable 5/5 A to 9995/5 A)
Min. Operating Current For Working of APFC	<ul style="list-style-type: none"> <li>▶ 1% to 10 % of primary CT in PF &amp; KVAR Control mode (User Selectable).</li> <li>▶ Factory Set 3 % of primary CT in all controlling mode .</li> </ul>
Input Voltage Range	30 to 290 V AC
Power Supply	230 V AC $\pm$ 20% Supply , 50Hz

## APPLICATIONS

- PF Management using 1 CT Method
- For 3 Phase Balanced Industrial Loads
- Energy Monitoring System
- DG Set Panels
- Process Control
- Power Factor Correction Panels
- Commercial Buildings

# Technical Specifications

## Meter type

1Phase 2Wire	Same Phase of Voltage & Current
--------------	---------------------------------

## Auxiliary Power Supply

Power Supply	230 V AC $\pm$ 20% Supply ,50 Hz
Burden	Approximately 8VA

## Signal Input Parameter

Voltage	30 to 290 V AC , 50 Hz
Main CT Current	
Secondary Current	50 mA to 5 A
Burden	0.08 VA
Main/Capacitor CT Ratio	5 To 9995 Programmable
Capacitor CT Current	
Secondary Current	50 mA to 5 A
Burden	0.05 VA
Capacitor & Main CT Over Load	6A

## Display & Keys

Display	0.56" 4 Digit, 7Segment White LED
Key	SET/ENT, UP, DOWN, EXIT
LED Indication	A, $V_{LN}$ , Set Cos $\phi$ , Time, Mode, Capacitor CT Selection, Main CT Selection, Switching Program, Steps, Alarm, Manual, Automatic Rotational, KVAR, IND, CAP, Relay

## Memory

Memory Retention	10 Years
------------------	----------

## Accuracy

Class 0.5 ( Standard )

## Output

### Relay

- ▶ 6 Relay With NO-C
- ▶ Switching Voltage :- 250V AC
- ▶ Current (Resistive load) :- 5A
- ▶ Expected Electrical Life :-  
1 X 10<sup>7</sup> OPS
- ▶ Expected Mechanical Life :-  
1 X 10<sup>5</sup> OPS

## Calculated Parameters

Voltage	$V_{LN}$ (Phase to Neutral)
Current	▶ Main CT Current ▶ Capacitor CT Current
Power Factor	0.05 to 1.00 lag/lead

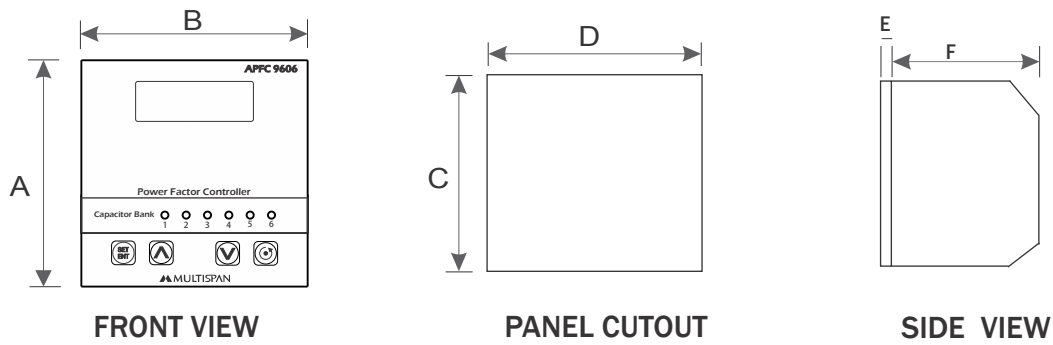
## Setting Parameter

Set COS $\phi$	+0.80 (Lag) To -0.80 (Lead)
Time	5 to 999 Second
Steps (In KVAR mode)	KVAR Steps
Mode	PF & KVAR
Switching Program	Manual, Rotational, Automatic, KVAR

## Dimensions

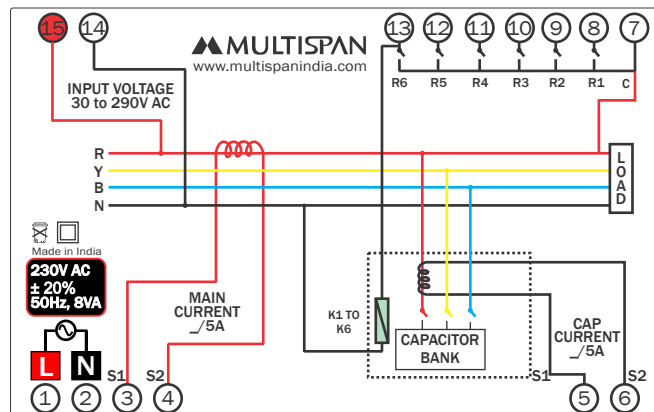
Bezel	96 X 96mm
Panel Cutout	92 X 92mm
Depth of Installation	52 mm

## Mechanical Dimension



MODEL	A	B	C	D	E	F
DIMENSIONS	96mm	96mm	92mm	92mm	3mm	52mm

## Connection Diagram



Multispan reserves the right to change specifications without prior notice. Printing and typographical errors reserved.  
Product improvement and upgrade is a constant procedure. So for more updated operating information & support contact us.

### Multispan Control Instruments Pvt. Ltd.

72/B, Phase 1, GIDC Estate, Vatva, Ahmedabad-382445, Gujarat, India.

+91-7575805463/7623001206

support@multispanindia.com

Follow us



www.multispanindia.com