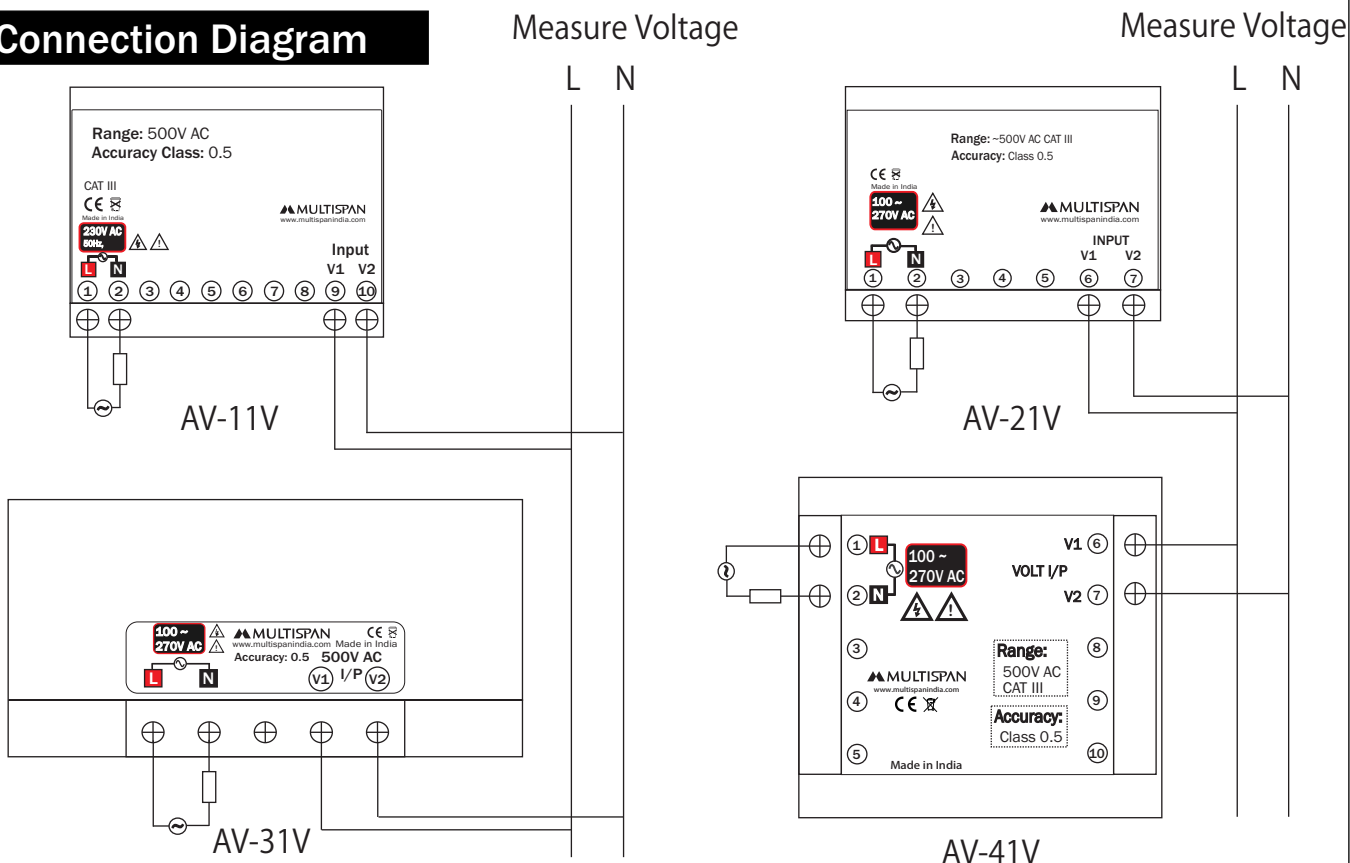




Technical Specification

Model	AV-11V	AV-21V	AV-31V	AV-41V
Display	3 Digit 7 seg 0.56", red LED Display			3 Digit 0.8"
Size(HXWXD)	96 X 96 X 42mm	72 X 72 X 35mm	48 X 96 X 26mm	48 X 48 X 46mm
Panel Cutout	92 X 92 mm	68 X 68 mm	46 X 92 mm	45 X 45 mm
Input Voltage	5 to 500V AC			
Power Supply	230V AC, 50Hz	100 to 270V AC		
Wire Connection	1Ø - 2 Wire			
Protection Level (As per request)	IP-65(Front side) AS per IS/IEC 60529:2001			
Relative Humidity	0° To 55°C			
Operating Temperature	Up to 95% RH Non Condensing			

Connection Diagram



Safety Precautions

All safety related codifications, symbols and instructions that appear in this operating manual or on the equipment must be strictly followed to ensure the safety of the operating personnel as well as the instrument.

If all the equipment is not handled in a manner specified by the manufacturer, it might impair the protection provided by the equipment .

=> Read complete instructions prior to installation and operation of the unit.

 **WARNING** : Risk of electric shock.

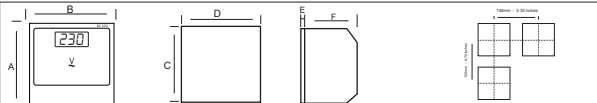
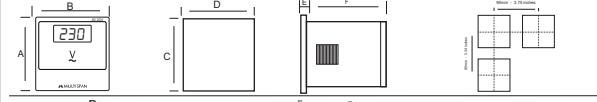


Warning Guidelines

- 1) To prevent the risk of electric shock power supply to the equipment must be kept OFF while doing the wiring arrangement. Do not touch the terminals while power is being supplied.
- 2) To reduce electro magnetic interference, use wire with adequate rating and twists of the same of equal size shall be made with shortest connection.
- 3) Cable used for connection to power source, must have a cross section of 1mm^2 or greater. These wires should have insulations capacity made of at least 1.5kV.
- 4) A better anti-noise effect can be expected by using standard power supply cable for the instrument.

Installation Guidelines

- 1) This equipment, being built-in-type, normally becomes a part of main control panel and such in case the terminals do not remain accessible to the end user after installation and internal wiring.
- 2) Do not allow pieces of metal, wire clippings, or fine metallic fillings from installation to enter the product or else it may lead to a safety hazard that may in turn endanger life or cause electrical shock to the operator.
- 3) Circuit breaker or mains switch must be installed between power source and supply terminal to facilitate power 'ON' or 'OFF' function. However this mains switch or circuit breaker must be installed at convenient place normally accessible to the operator.
- 4) Use and store the instrument within the specified ambient temperature and humidity ranges as mentioned in this manual.

Mechanical Installation

	<table border="1"> <thead> <tr> <th>MODEL</th> <th>A</th> <th>B</th> <th>C</th> <th>D</th> <th>E</th> <th>F</th> </tr> </thead> <tbody> <tr> <td>DIMENSIONS</td> <td>96mm</td> <td>96mm</td> <td>92mm</td> <td>92mm</td> <td>3mm</td> <td>52mm</td> </tr> </tbody> </table>	MODEL	A	B	C	D	E	F	DIMENSIONS	96mm	96mm	92mm	92mm	3mm	52mm
MODEL	A	B	C	D	E	F									
DIMENSIONS	96mm	96mm	92mm	92mm	3mm	52mm									
	<table border="1"> <thead> <tr> <th>MODEL</th> <th>A</th> <th>B</th> <th>C</th> <th>D</th> <th>E</th> <th>F</th> </tr> </thead> <tbody> <tr> <td>DIMENSIONS</td> <td>72mm</td> <td>72mm</td> <td>68mm</td> <td>68mm</td> <td>3mm</td> <td>85mm</td> </tr> </tbody> </table>	MODEL	A	B	C	D	E	F	DIMENSIONS	72mm	72mm	68mm	68mm	3mm	85mm
MODEL	A	B	C	D	E	F									
DIMENSIONS	72mm	72mm	68mm	68mm	3mm	85mm									
	<table border="1"> <thead> <tr> <th>MODEL</th> <th>A</th> <th>B</th> <th>C</th> <th>D</th> <th>E</th> <th>F</th> </tr> </thead> <tbody> <tr> <td>DIMENSIONS</td> <td>48mm</td> <td>96mm</td> <td>44mm</td> <td>92mm</td> <td>4.5mm</td> <td>66mm</td> </tr> </tbody> </table>	MODEL	A	B	C	D	E	F	DIMENSIONS	48mm	96mm	44mm	92mm	4.5mm	66mm
MODEL	A	B	C	D	E	F									
DIMENSIONS	48mm	96mm	44mm	92mm	4.5mm	66mm									
	<table border="1"> <thead> <tr> <th>MODEL</th> <th>A</th> <th>B</th> <th>C</th> <th>D</th> <th>E</th> <th>F</th> </tr> </thead> <tbody> <tr> <td>DIMENSIONS</td> <td>48mm</td> <td>48mm</td> <td>45mm</td> <td>45mm</td> <td>3mm</td> <td>70mm</td> </tr> </tbody> </table>	MODEL	A	B	C	D	E	F	DIMENSIONS	48mm	48mm	45mm	45mm	3mm	70mm
MODEL	A	B	C	D	E	F									
DIMENSIONS	48mm	48mm	45mm	45mm	3mm	70mm									

- 1) Prepare the panel cutout with proper dimensions as show above.
- 2) Fit the unit into the panel with the help of clamp given.
- 3) The equipment in its installed state must not come in close proximity to any heating source, caustic vapors, oils steam, or other unwanted process by products.
- 4) Use the specified size of crimp terminal (M3.5 screws) to wire the terminal block. Tightening the screws on the terminal block using the tightening torque of the range of 1.2 N.m.
- 5) Do not connect anything to unused terminals.

Maintenance

- 1) The equipment should be cleaned regularly to avoid blockage of ventilating parts.
- 2) Clean the equipment with a clean soft cloth. Do not use isopropyl alcohol or any other cleaning agent.
- 3) Fusible resistor must not be replaced by operator.