



VOLTAGE PROTECTION RELAY

VPR-35

APPLICATIONS

DG Set Panels

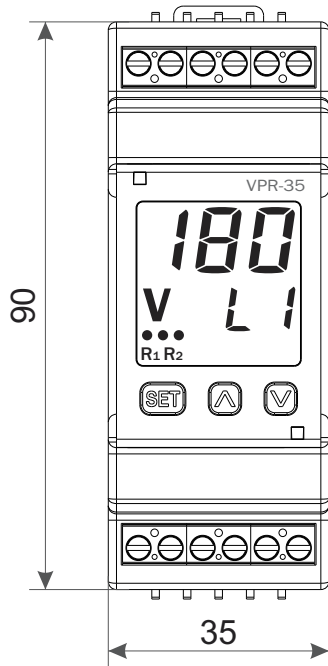
Motor Control Center Panels

Control Panels

Distribution Panels

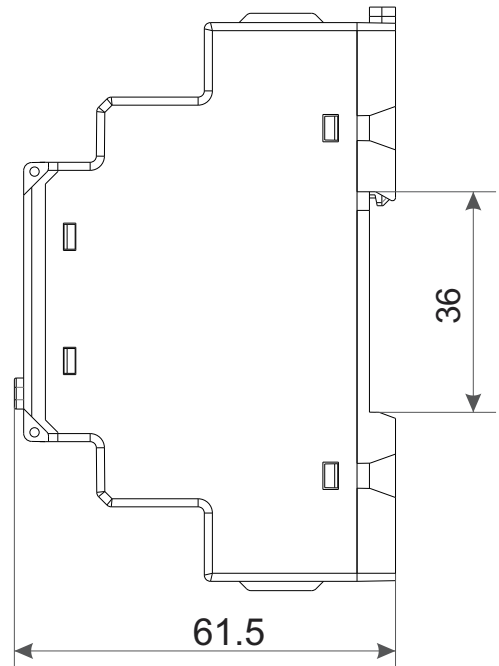
Mechanical Dimensions

Body Dimensions



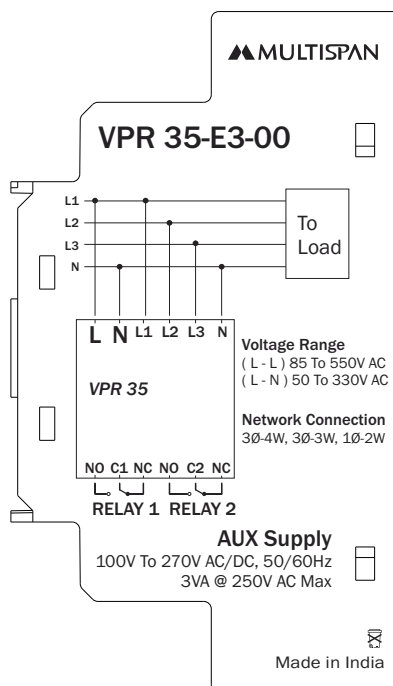
FRONT VIEW

All dimensions are in mm




RIGHT SIDE VIEW

Connection Diagram



TECHNICAL DATA

Input Voltage	85 to 550 V AC (L-L) 3Ø-3W 50 to 330 V AC (L-N) 3Ø-4W / 1Ø-2W
Output	1 ST Relay 1 C/O, 5A, 230 V AC (Resistive load) 2 ND Relay 1 C/O, 5A, 230V AC, 24V DC
Accuracy	Class 1.0
Power Supply	100V To 270V AC, 50/60Hz, 3VA @ 230V AC Max
Certificate	

Features

- Auto/Manual/ZVR (Zero Value Reset) Reset Option
- Power Fail Fault Memory
Time parameter : Power on delay
Trip delay
Recovery time (Auto reset / ZVR)

Protection Available

- Over Voltage
- Under Voltage
- Over Frequency
- Under Frequency
- Asymmetry
- Phase Loss
- Phase Sequence

Input

Direct Voltage	85 To 550V (L-L) 50 TO 330V (L-N)
Resolution	1 Volt
Frequency	45.0 TO 65.0 Hz

Display LED & Keys

Display	0.4" Red LED, 3 digit UPPER 0.28" Red LED, 3 digit LOWER
Key	SET, RESET, INC, DEC
LED Indication	LINE-1 , LINE-2 , LINE-3, RELAY 1, RELAY 2

Meter type

3Ø-3W/3Ø-4W/1Ø-2W

Output

Relay

1ST Relay with 1 C/O,5A
230 V AC On Resistive Load
2ND Relay 1 C/O, 5A, 230V AC

Trip Setting

Under Voltage	85-550 V AC (3Ø-3W), 50-330 V AC (3Ø-4W/1Ø-2W)
Over Voltage	85-550 V AC (3Ø-3W), 50-330 V AC (3Ø-4W/1Ø-2W)
Under Frequency & Over Frequency	45.0 TO 65.0 Hz
Phase Asymmetry	10-100V

Time Parameter

Power ON Delay Time	0.0 to 99.9 Seconds
Trip Delay Time	0.0 to 999 Seconds
Recovery Time	0.0 to 99.9 Seconds

Accuracy

Class 1.0 (Standard)

Auxiliary Power Supply

Power Supply	100V To 270V AC,50/60Hz
Burden	3VA @ 230V AC Max

Environmental Characteristics

Operating Temperature	0 to 55 °C
Storage Temperature	0 to 70 °C
Relative Humidity	95% RH Non-condensing

Mechanical Characteristics

Mounting Type	Din Rail Mount
Dimension (HxWxD) mm	90 x 35 x 61.5
Material Body	Polycarbonate (PC)
Terminal Screw Size	M3
Screw Torque (N.m)	0.5
Wire Gauge (AWG)	28-12
Weight (Approx) gms	Unpacked : 200 Packed : 255