

MULTISPAN LENGTH COUNTER LC-1046D



TECHNICAL SPECIFICATION

INPUT SPECIFICATION:

Input (Start Pulse)	NPN/PNP Proximity Micro Switch
---------------------	-----------------------------------

DISPLAY AND KEYS:

Display	Upper: 6 digit, 7 segment, 0.56" Red Lower: 4 digit, 7 segment, 0.40" Green
Keys	SET/ENT, SHIFT, INC, RESET

DIMENSION:

Size	96 (H) x 96 (W) x 43 (D) mm
Panel Cutout	92 (H) x 92 (W) mm

GENERAL SPECIFICATION:

Memory	Nonvolatile
Counting Direction	UP/ DOWN
Reset Option	Front Panel Reset Terminal Reset

OUTPUT SPECIFICATION:

Relay Output	
Relay	1 nos.
Relay Type	1 C/O (NO-C-NC)
Rating	5A, 230V AC

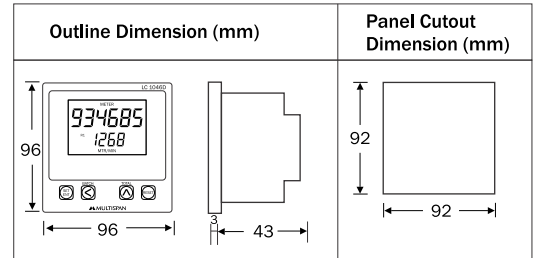
AUXILIARY SUPPLY:

Supply voltage	230V AC, 50Hz
Power consumption (VA RATING)	Approx 4 VA @ 230V AC MAX

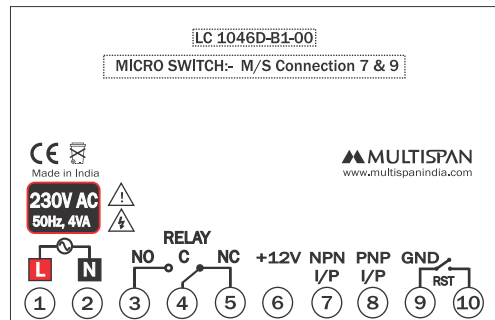
ENVIRONMENT CONDITION:

Operating Temp.	0°C to 55°C
Relative Humidity	UP to 95% RH (non-condensing)
Protection Level (AS Per Request)	IP-65 (Front side) As per IS/IEC 60529 : 2001

MECHANICAL INSTALLATION



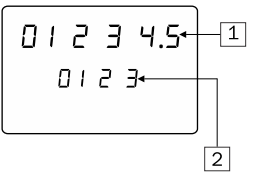
TERMINAL CONNECTION



PROXY COLOR CODE

+12V	OUTPUT	GND
Brown	Black	Blue
Red	Green	Black

FRONT PANEL DESCRIPTION



- 1 - Total Length in meter
- 2 - Length Counting Speed (Meter/Min)

KEY OPERATION

FUNCTION	PRESS KEY
OPERATOR MODE	
To enter in parameter setting mode	Press Key
To reset total Length	
To view batch count	
To view grand total	
PARAMETER SETTING MODE	
Edited parameter value to be set, And move to the next parameter	
It will select the digit to modify, When value is edited	
It will change the Value of selected digit	

INSTALLATION GUIDELINES

- This equipment, being built-in-type, normally becomes a part of main control panel and in such case the terminals do not remain accessible to the end user after installation and internal wiring.
- Do not allow pieces of metal, wire clippings, or fine metallic fillings from installation to enter the product or else it may lead to a safety hazard that may in turn endanger life or cause electrical shock to the operator.
- Circuit breaker or mains switch must be installed between power source and supply terminal to facilitate power 'ON' or 'OFF' function. However this mains switch or circuit breaker must be installed at convenient place normally accessible to the operator.
- Use and store the instrument within the specified ambient temperature and humidity ranges as mentioned in this manual.

MECHANICAL INSTALLATION GUIDELINES

- Prepare the panel cutout with proper dimensions as shown above.
- Fit the unit into the panel with the help of clamp given.
- The equipment in its installed state must not come in close proximity to any heating source, caustic vapors, oils steam, or other unwanted process byproducts.
- Use the specified size of crimp terminal (M3.5 screws) to wire the terminal block. Tightening the screws on the terminal block using the tightening torque of the range of 1.2 N.m.
- Do not connect anything to unused terminals.

MAINTENANCE

- The equipment should be cleaned regularly to avoid blockage of ventilating parts.
- Clean the equipment with a clean soft cloth. Do not use isopropyl alcohol or any other cleaning agent.
- Fusible resistor must not be replaced by operator.

SAFETY PRECAUTION

All safety related codifications, symbols and instructions that appear in this operating manual or on the equipment must be strictly followed to ensure the safety of the operating personnel as well as the instrument.

If all the equipment is not handled in a manner specified by the manufacturer, it might impair the protection provided by the equipment.

Read complete instructions prior to installation and operation of the unit.

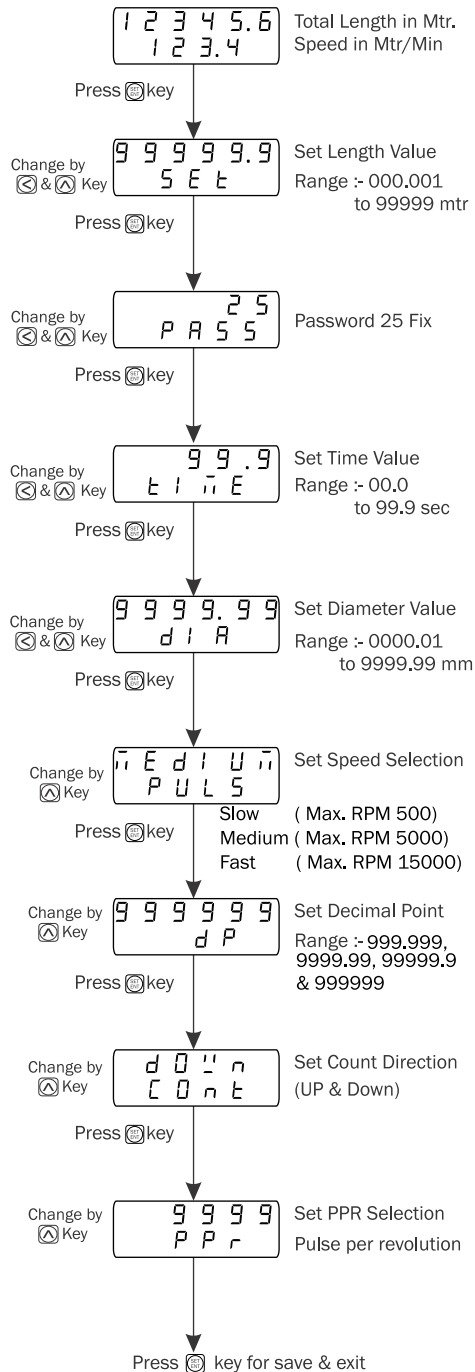
WARNING : Risk of electric shock.

WARNING GUIDELINES

WARNING : Risk of electric shock.

- To prevent the risk of electric shock, power supply to the equipment must be kept OFF while doing the wiring arrangement. Do not touch the terminals while power is being supplied.
- To reduce electro magnetic interference, use wire with adequate rating and twists of the same of equal size shall be made with shortest connection.
- Cable used for connection to power source, must have a cross section of 1mm or greater. These wires should have insulations capacity made of at least 1.5kV.
- A better anti-noise effect can be expected by using standard power supply cable for the instrument.

PARAMETER SETTING



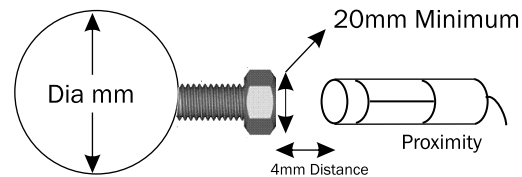
NOTE

- 1). The proximity switch give pulse to counter everytime the metal on the roller is sensed.
- 2). **Length of Material (in meter) for one revolution**
= 3.14 X Diameter (mm)
- 3). **Total length**
= { 3.14 X Diameter (mm) X Number of Revolutions } / 1000
- 4). **Total Meters/Minute**
= { 3.14 X Diameter (mm) X RPM } / 1000 X PPR

WORKING

- 1). When proxy pulse comes, upper display indicates increment in 'Total Length' in Meter, Lower Display indicates 'Speed' in Meter/Min according to Diameter and PPR set.
- 2). For Manual Reset Mode, Set time = 00.0 sec & For Auto Reset Mode, Set time = 00.1 to 99.9 sec.
- 3). When Total Length = Set Length, Then Relay will energise , and remains ON till Set Auto Reset Time. Relay will turn off after completion of time.
If time is set = 00.0 sec, then relay remains ON until key is pressed.
- 4). If there is a power failure, the last reading is stored in the memory and Counter starts resume counting from the last stored value, when power ON.
- 5). No. of bolts inserted in a roller should be the same as that of PPR.

PROXY ALIGEMENT



NOTE

- 1). Please consult support engineers for sensing area size for proxy to sense.
- 2). Please ensure proper sensing area size before installing proxy sensor in your equipment.
- 3). Sensing area must be equal or more than the proxy head size.

Specifications are subject to change, since development is a continuous process.
So for more updated operating information and Support,
Please contact our Helpline: 9978991474/76/82 or
Email at service@multispaindia.com Ver:2112