

# MHT 1202

## Humidity + Temp. Controller



### Features

- Elegant appearance, easy to operate and compact in size
- Highly accurate & sturdy in operation
- Dual display for simultaneous indication of T & H
- Field proven algorithm, tested successfully for various HVAC control application

### Specification

<b>Input</b>	S1 : PT-100 2 Wire/3 Wire S2 : Humidity Snsor
<b>PT-100 Range</b>	-50 TO 199.9 °C
<b>Humidity Range</b>	0.0 to 100.0 % RH
<b>Output</b>	2 Relay
<b>Relay Type</b>	1 C/O (NO-C-NC)
<b>Alarm</b>	High / Low Alarm (ON-OFF Action)
<b>Communication (Optional)</b>	RS-485 Modbus
<b>Power Supply</b>	100-270V AC ,50/60Hz
<b>Accuracy</b>	±1% FSD ± 1 Digit

### LED Indication & Keys

<b>LED</b>	Relay 1 & 2 LED
<b>KEYS</b>	SET, INC, DEC, ENT

### Application

- 1) Process industries
- 2) Lab Testing equipment
- 3) Testing Chambers
- 4) HVAC & Refrigeration industries

## Input

Input	S1 : PT-100 2 wire/3 wire S2 : Humidity Sensor
PT-100 Range	-50 to 199.9 °C
Range	0.0 to 100.0% RH

## Output

Relays	2 Nos 1 st RLY For Temperature & 2 nd RLY For Humidity
Relay Type	1C/O (NO-C-NC)
Rating	10A, 230V AC / 30V DC

## Display & Keys

Display	2 Line, 4 Digit, 7 seg. 0.56" Red + White Display
Key	SET, INC, DEC, ENT
LED	Relay

### Note :

Accurate sensing of humidity is subject to proper mounting of humidity sensor as per application area. Please consult our support engineers if needed.

## Auxiliary Power Supply

Power Supply	100 to 250V AC, 50/60Hz
Burden	4VA

## Physical

Mounting Type	Panel Mount
Size ( H x W x D )mm	96 X 96 X 54
Front Bezel ( H x W ) mm	96 X 96
Panel Cutout ( H x W ) mm	92 X 92
Depth Behind panel (mm)	54
Material	ABS
Accessory	2 Panel Mounting Clamp
Enclosure Protection (As Per Request)	IP 65 ( Front Side )
Terminal & Cable Size	Barrier Type terminal Cable Size ( 2.5 mm <sup>2</sup> )

## Environmental

Working Temperature	0 to 55 °C
Storage Temperature	0 to 55 °C
Relative Humidity	95% RH Non-condensing
Warm up time	5 minutes

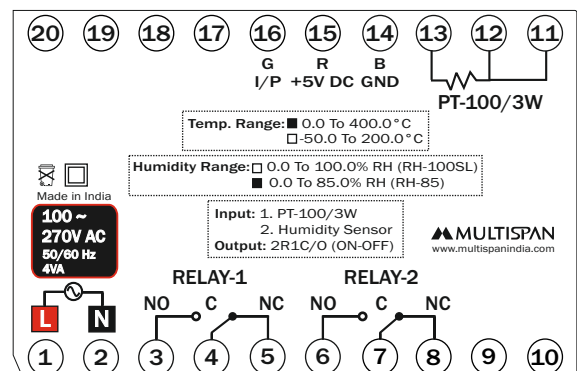
## Accuracy

±1% FSD ± 1 Digit

## Mechanical Dimension

Outline Dimension (mm)	Panel Cutout Dimension (mm)

## Connection Diagram



Multispan reserves the right to change specifications without prior notice. Printing and typographical errors reserved.  
Product improvement and upgrade is a constant procedure. So for more updated operating information & support contact us.

## Multispan Control Instruments Pvt. Ltd.

72/B, Phase 1, GIDC Estate, Vatva, Ahmedabad-382445, Gujarat, India.

+91-7575805463/7623001206

support@multispanindia.com

Follow us



www.multispanindia.com