

Sequential Timer : 8 Channel

MULTISPAN

SQT-1044



Display Color:
Upper : RED
Lower: Green

TECHNICAL SPECIFICATION

INPUT SPECIFICATION:

Input (Start Pulse)	Trigger
	Enable
	Power ON

DISPLAY AND KEYS:

Display	Upper: 4 digit, 7 segment, 0.56" Lower: 4 digit, 7 segment, 0.40"
Keys	SET, SHIFT, INC, ENT/RST

DIMENSION:

Size	96 (H) x 96 (W) x 54 (D) mm
Panel Cutout	92 (H) x 92 (W) mm

Range:

Range	99.99 Sec
	999.9 Sec
	99.59 Min
	99.59 Hrs
	999.9 Hrs

Timer Mode:

Timer Mode	Delayed ON
	Delayed OFF
	Cycle Timer

OUTPUT SPECIFICATION:

Relay Output	
Relay	8 Relay + Cascade
LED Indication	1) Relay Status 2) Time Unit
Rating	5A, 230V AC

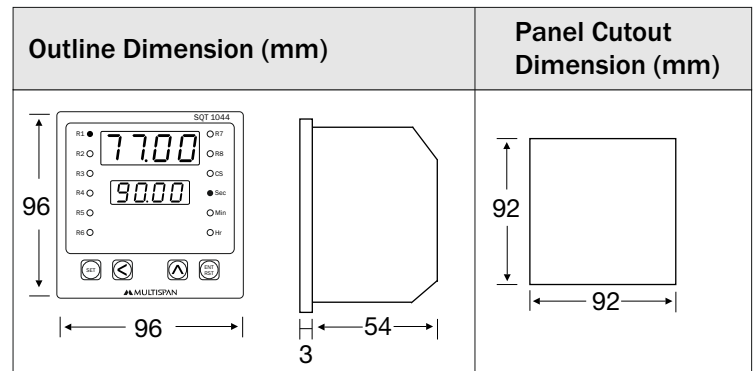
AUXILIARY SUPPLY:

Supply voltage	100 to 270V AC, 50-60Hz
Power consumption (VA RATING)	Approx 5 VA @ 230V AC MAX

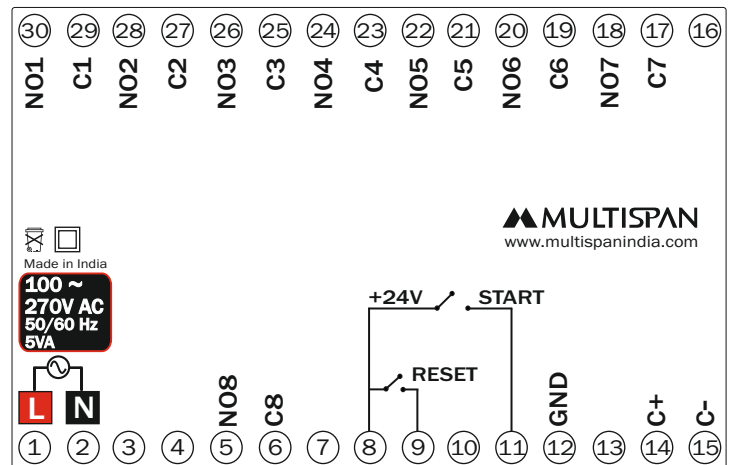
ENVIRONMENT CONDITION:

Operating Temp.	0°C to 55°C
Relative Humidity	UP to 95% RH (non-condensing)
Protection Level (AS Per Request)	IP-65 (Front side) As per IS/IEC 60529 : 2001







MECHANICAL INSTALLATION



TERMINAL CONNECTION



KEY OPERATION

FUNCTION	PRESS KEY
OPERATOR MODE	
To enter in parameter setting mode	
To reset the timer	
PARAMETER SETTING MODE	
Edited parameter value to be set, And move to the next parameter	
It will select the digit to modify, When value is edited	
It will change the Value of selected digit	
Set parameter to save & exit	

Test Certificate

Product : UNI.SEQUENTIAL TIMER

Model No.: SQT-1044

Input: Enable, Trigger, Power ON

Range : Universal Range

Output : 8R1C/O + Cascade

Control Action : Start Pulse Selectable, Reset at Back

Supply : 100 to 270V AC,50/60Hz,Approx 5VA

Accuracy : $\pm 1\%$ Of FSD

Calibrator Used : Time Totalizer

Calibrator Sr. No. : Time CAL-2



(Signature)

Q.A. Engineer

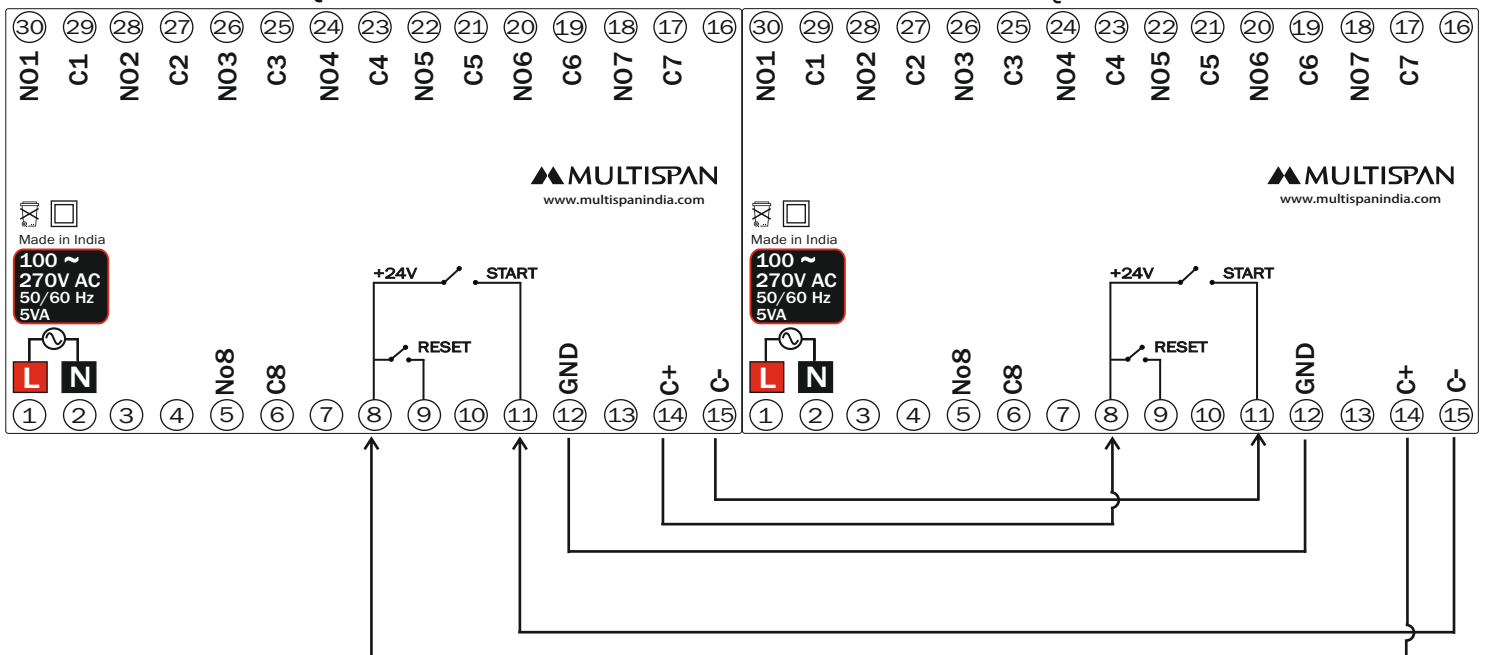
WARRANTY

Multispan warrants that the product supplied here under this Test Certificate is guaranteed against our design, our manufacturing and our workmanship defects for a time period of 12 Months from the date of product dispatch from our premises. Multispan undertakes the responsibility to replace/repair the faulty product at our company premises free of cost. The manufacturing liability is limited to the value of goods supplied. Hereby, the manufacturer will take no responsibilities for whatsoever any consequential damages claimed by the customer whatsoever. This warranty certificate is required to be produced for obtaining any repair or replacement service from the Manufacturer. The Manufacturer reserve right to determine the reason for Defect/Damage, before providing service.

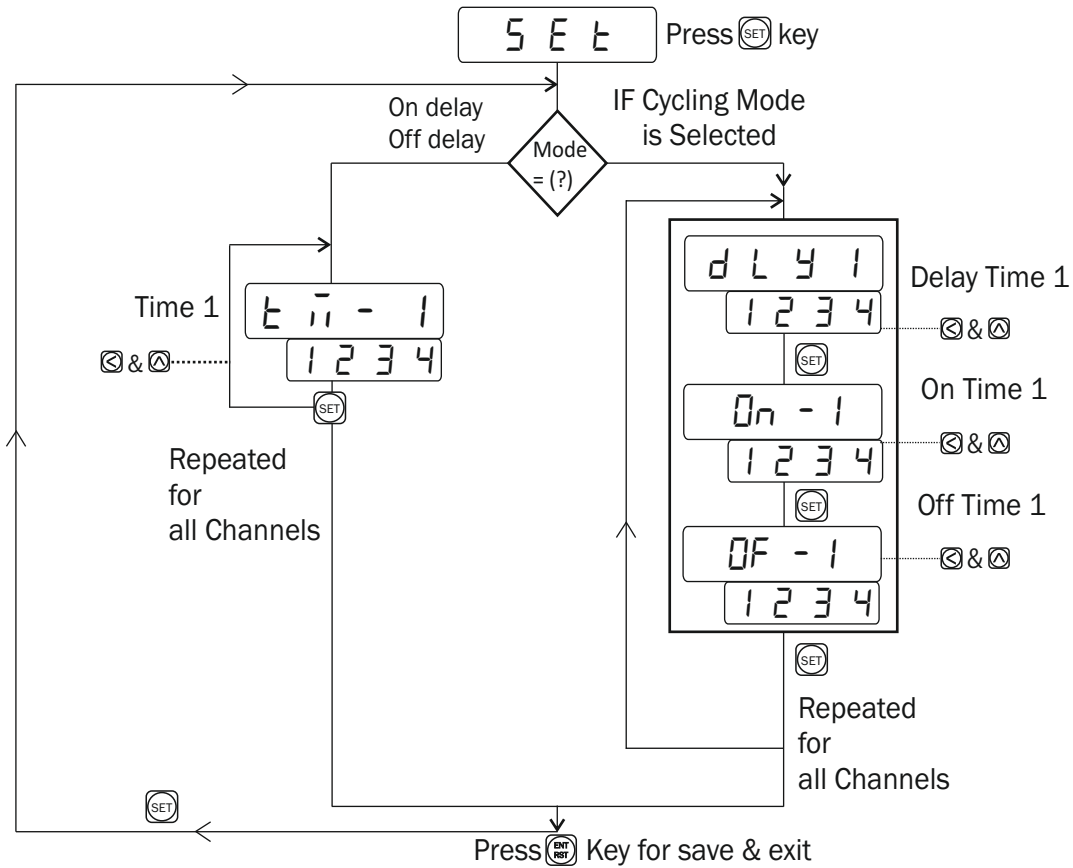
For Cascading

SQT-1044-1

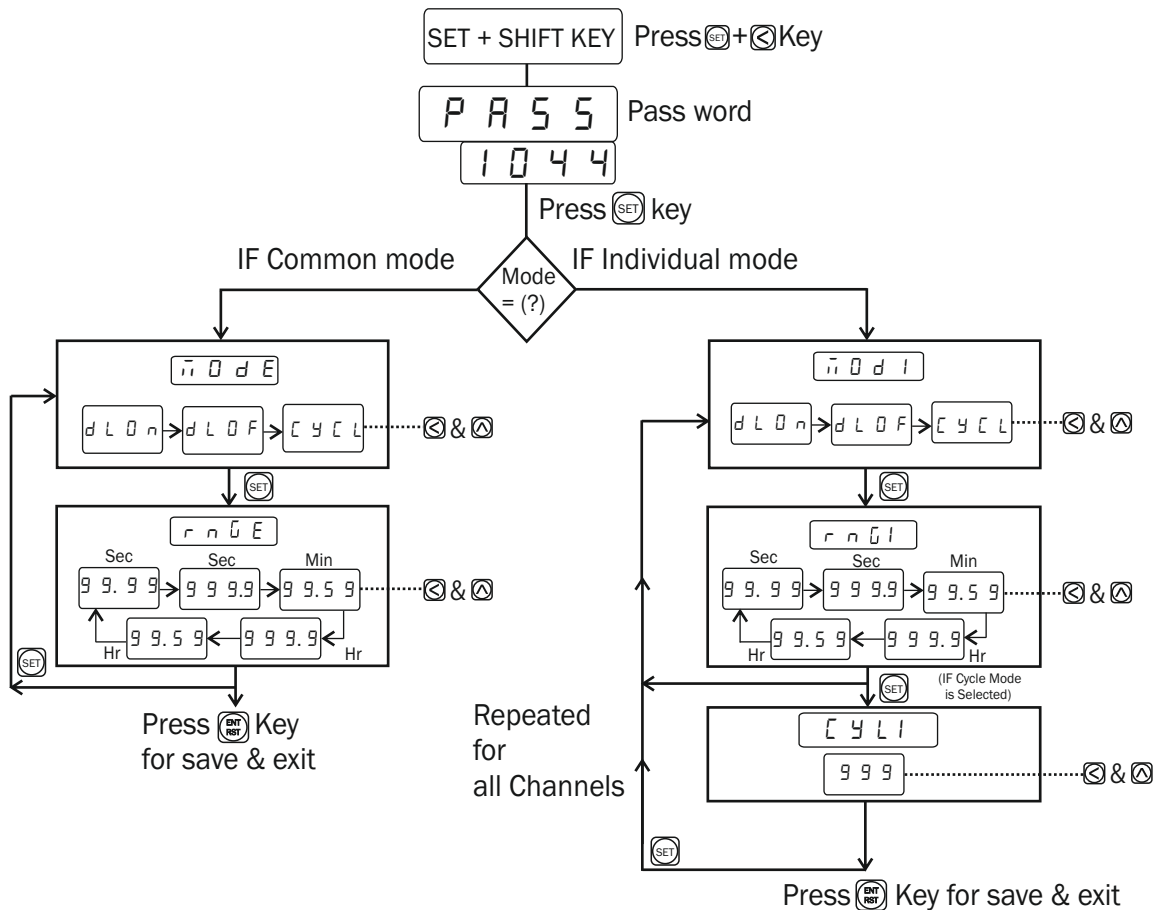
SQT-1044-2



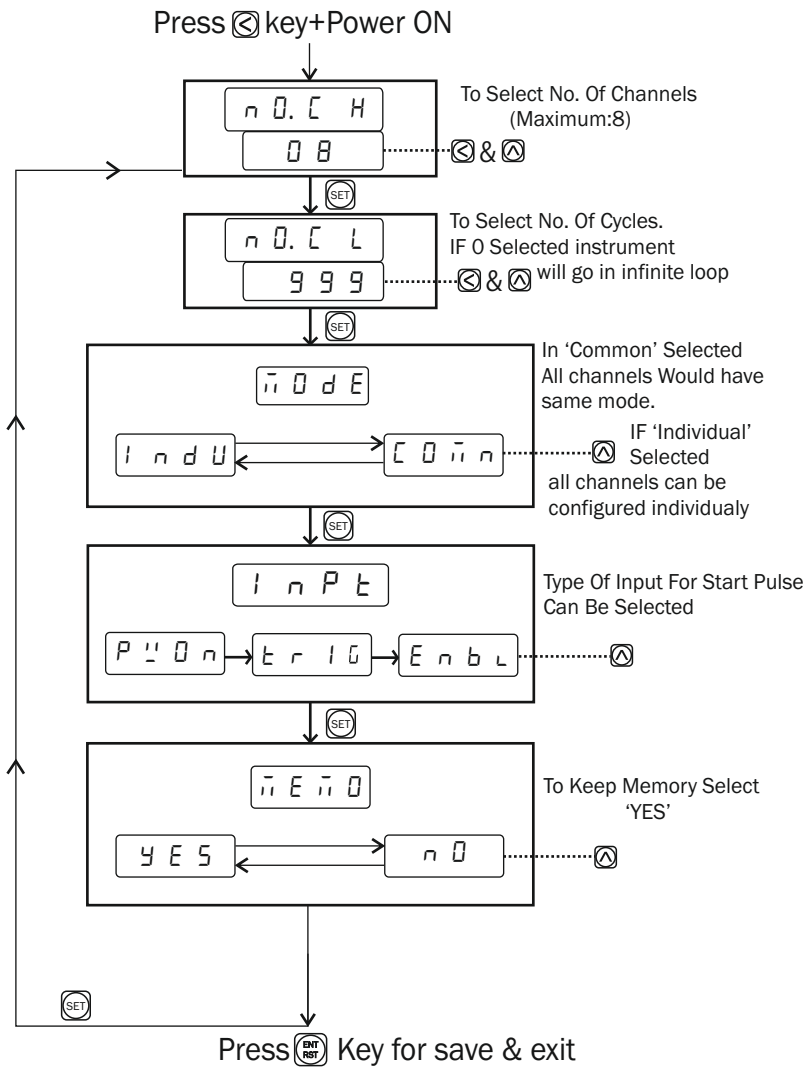
Menu-1



Menu-2



Menu-3



Note: Cascading the instruments

- 1) If more than 8 Channels needed than we can extend the channels by cascading the second instrument.
- 2) Configure the 2nd instrument's input as Trigger pulse. & Connect it to the cascade output of first instrument.
- 3) The first Channels of 2nd instrument will now work as 9th channel & So On.
- 4) This combination of 2 instruments will work as 16 channel timer.
- 5) Similarly We can connect more instrument as per our Requirement.

Note

- * To make parameter setting easy, menu is divided in three groups.
- 1) Menu 1: is used to set the parameters which are needed to change Frequently, like delay time, On time & OFF Time
 - 2) Menu 2: is used to set the parameters like password, mode, range & No. Of cycles.
 - 3) Menu 3: is used to set the parameters Which Needed to change in rare Case like No of channel, No of cycle, individual & Common mode, Type of input & memory retention.

Working

- 1) First enter in menu-3 (Press [Key] Key) Then Power On.
- 2) Configure The instrument As per Your Application
- 3) Press [SET] + [Key] Key & Follow Menu-2 as per the Application.
- 4) Press [SET] Key in Menu-1
- 5) At Any time press [ENT/ RST] key to save and exit.
- 6) To Change Any parameter [Key] & [Key] Key.
- 7) To go to next parameter, Press [SET] Key.
- 8) If No key is Pressed, Menu will Automatically exit after 15 SEC. without saving.

Display Message & Their Meaning

SR.	DISPLAY	DESCRIPTION
1	P A S S	Password
2	C Y C L	Cycle
3	d L 0 n	Delayed On
4	d L 0 F	Delayed Off
5	r n 9 E	Range
6	i i 0 d i	Mode 1
7	r n 0 i	Range 1
8	C Y L 1	Cycle 1
9	t i i i	Time 1
10	d L Y 1	Delay Time 1
11	0 n - 1	On Time 1
12	0 F - 1	Off Time 1
13	n 0. C H	No. Of Channels
14	n 0. C L	No. Of Cycles
15	i i 0 d E	Mode
16	C O m m	Common
17	I n d U	Individual
18	I n P t	Input
19	P o n	Power On
20	t r i g	Trigger
21	E n b l	Enable
22	i i E i i 0	Memory
23	Y E S	Yes
24	n 0	No